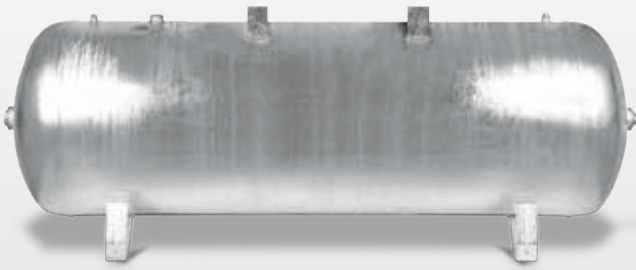


# Components for compressed air systems



## Pressure vessel arrays - for up to 400 litres of additional air supply

### Maximum pressure vessel content on the smallest possible footprint – the space-saving solution

- ▶ Pressure vessel arrays available as 2x and 4x arrays
- ▶ All pressure vessel arrays available as a 13 bar variant with 75 l containers

- ▶ Enabling the second compressed air vessel doubles the pressure vessel volume, thus creating a greater compressed air reserve
- ▶ Helps to cover short-term peaks in compressed air requirements
- ▶ If required, individual compressed air vessels can be shut-off from the compressed

air supply using ball valves; this decreases the volume of the pressure vessel, thus building up the pressure faster

- ▶ Interior and exterior of pressure vessel hot-dip galvanised
- ▶ All pressure vessel arrays can be easily moved with a pallet truck.

The air reserve of a compressor with a 100 l pressure vessel is expandable up to 500 litres using Aircraft pressure vessel arrays.



**AIRPROFI 853/100/10 H**

- ▶ Connected via an optional flexible armoured hose to a dual pressure vessel array KB 2x100/10
- ▶ Pressure vessel arrays can be moved easily with a pallet truck



**KB 2x75/13**

Figure shows standard scope of delivery



**KB 4x100/10**

Figure shows standard scope of delivery

| Model       | KB 2x100/10 | KB 2x75/13 | KB 4x100/10 | KB 4x75/13 |
|-------------|-------------|------------|-------------|------------|
| article no. | 2502102     | 2502132    | 2502104     | 2502134    |

### Technical specifications

|                            | KB 2x100/10       | KB 2x75/13        | KB 4x100/10       | KB 4x75/13        |
|----------------------------|-------------------|-------------------|-------------------|-------------------|
| Number of vessels          | 2                 | 2                 | 4                 | 4                 |
| Vessel capacity            | 2 x 100 l         | 2 x 75 l          | 4 x 100 l         | 4 x 75 l          |
| Maximum pressure           | 10 bar            | 13 bar            | 10 bar            | 13 bar            |
| Pressure vessel connection | 3/4"              | 3/4"              | 3/4"              | 3/4"              |
| Dimensions (LxWxH) in mm   | 420 x 900 x 1 510 | 420 x 900 x 1 480 | 900 x 900 x 1 510 | 900 x 900 x 1 480 |



Fig. shows KB 4x100/10 with accessories

- (1) Condensate treatment with supply line
- (2) Automatic condensate drain with
- (3) Flexible hoses as supply lines
- (4) Microfilter

### Connection set BEKOMAT/ÖWAMAT

#### Scope of delivery:

Öwamat 10, Bekomat 31, all parts for connecting to the respective pressure vessel array, incl. factory assembly

| Optional equipment                                    | article no. |
|---|-------------|
| Connection set BEKOMAT/ÖWAMAT to KB2 x 100 / KB2 x 75 | 2504150     |
| Connection set BEKOMAT/ÖWAMAT to KB4 x 100 / KB4 x 75 | 2504151     |

For important information and our full range of condensate treatment systems, see the Compressed air treatment section.





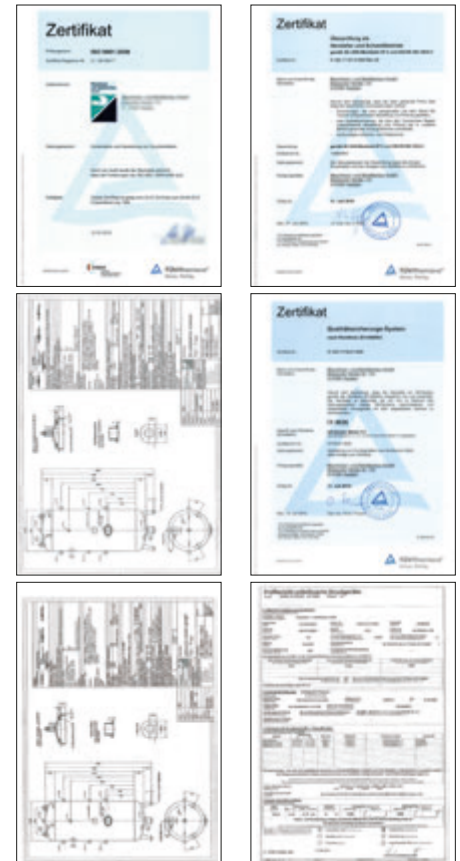
## Pressure vessels for your application – Made in Germany

### Your benefits at a glance:

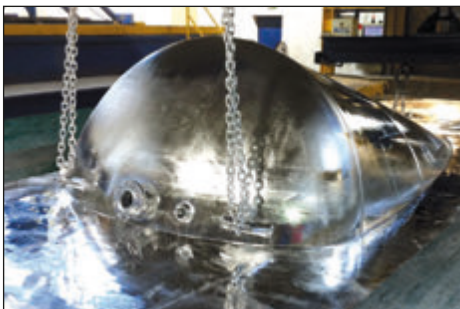
- ▶ Comprehensive technical consulting
  - ▶ 50 years' experience
  - ▶ Exacting quality requirements
  - ▶ Certified as per DGRL and DIN ISO 9001
  - ▶ Comprehensive technical documentation
- ▶ Sourcing of vessel documents after decades of use
  - ▶ Long-standing reliable supplier and service provider
  - ▶ High-performance surface finish
  - ▶ Standard vessels always available from stock
  - ▶ Shortest delivery times

## Quality and sustainability, a matter of course for us!

- ▶ We guarantee premium manufacturing through strategic planning, precise investigation and documentation. With our state-of-the-art X-ray system, qualified specialist staff, and wide-ranging pressure, ultrasonic and magnetic powder testing options, we are in a position to monitor the manufacturing process in good time
- ▶ We are certified in line with DIN EN ISO 9001 and the Pressure Equipment Directive 2014/68/EU, Module H/H1 certified and have thus set up a quality assurance system that goes beyond the requirements of 9001 and HPO.
- ▶ Safety is our top priority in the manufacturing of pressure vessels. **For this reason, every vessel that we manufacture is implemented with a longitudinal outside weld and a matching longitudinal outside weld.**
- ▶ We follow a sustainable approach to the use of resources, thus contributing towards keeping our environment clean and intact.



## Our standard



### Galvanised pressure vessels

- ▶ flat/upright
- ▶ 50 litres - 10 000 litres
- ▶ 11 bar or 16 bar
- ▶ -10 °C to +50 °C



### The welding procedure makes the difference

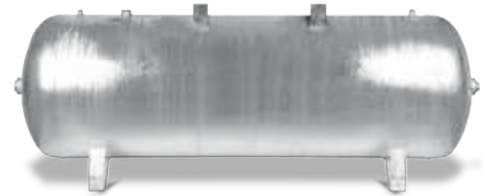
- ▶ Documented powder welding in a unique process for a safe weld



- ▶ Standard vessels from 50 litres to 3 000 litres in 11 and 16 bar versions are available for dispatch within two working days.

## Compressed air vessels 11 and 16 bar

- ▶ Hot-dip galvanised inside and out
- ▶ Built as per EC Directive 87/404/EEC or PED 97/23/EC - AD 2000, module: H/H 1
- ▶ Operating conditions as per AD 2000 - S1 (10/2000) = start-up and ramp-down and 20 % pressure fluctuation range



## Compressed air vessels in line with AD 2000/without fitting set

### Upright type

| Type                      | Pressure<br>bar | Vessel capacity<br>l | Manual/<br>Manhole | Weight<br>kg | Art. no. |
|---------------------------|-----------------|----------------------|--------------------|--------------|----------|
| DB zinc plating 50/11 V   | 11              | 50                   | with plugs         | 25           | 2500618  |
| DB zinc plating 50/16 V   | 16              | 50                   | with plugs         | 25           | 2500818  |
| DB zinc plating 90/11 V   | 11              | 90                   | with plugs         | 40           | 2500620  |
| DB zinc plating 90/16 V   | 16              | 90                   | with plugs         | 40           | 2500820  |
| DB zinc plating 150/11 V  | 11              | 150                  | Recess             | 65           | 2500623  |
| DB zinc plating 150/16 V  | 16              | 150                  | Recess             | 80           | 2500823  |
| DB zinc plating 250/11 V  | 11              | 250                  | Recess             | 110          | 2500625  |
| DB zinc plating 250/16 V  | 16              | 250                  | Recess             | 120          | 2500825  |
| DB zinc plating 500/11 V  | 11              | 500                  | Recess             | 150          | 2500650  |
| DB zinc plating 500/16 V  | 16              | 500                  | Recess             | 180          | 2500850  |
| DB zinc plating 750/11 V  | 11              | 750                  | Recess             | 200          | 2500675  |
| DB zinc plating 750/16 V  | 16              | 750                  | Recess             | 275          | 2500875  |
| DB zinc plating 1000/11 V | 11              | 1,000                | Recess             | 315          | 2500680  |
| DB zinc plating 1000/16 V | 16              | 1,000                | Recess             | 380          | 2500880  |
| DB zinc plating 2000/11 V | 11              | 2 000                | Recess             | 500          | 2500700  |
| DB zinc plating 2000/16 V | 16              | 2 000                | Recess             | 620          | 2500900  |
| DB zinc plating 3000/11 V | 11              | 3,000                | Recess             | 660          | 2500710  |
| DB zinc plating 3000/16 V | 16              | 3,000                | Recess             | 850          | 2500910  |
| DB zinc plating 5000/11 V | 11              | 5 000                | Manhole            | 1,070        | 2500730  |
| DB zinc plating 5000/16 V | 16              | 5 000                | Manhole            | 1,430        | 2500930  |

### Horizontal type

| Type                      | Pressure<br>bar | Vessel capacity<br>l | Manual/<br>Manhole | Weight<br>kg | Art. no. |
|---------------------------|-----------------|----------------------|--------------------|--------------|----------|
| DB zinc plating 50/11 H   | 11              | 50                   | with plugs         | 25           | 2500619  |
| DB zinc plating 50/16 H   | 16              | 50                   | with plugs         | 25           | 2500819  |
| DB zinc plating 90/11 H   | 11              | 90                   | with plugs         | 35           | 2500622  |
| DB zinc plating 90/16 H   | 16              | 90                   | with plugs         | 35           | 2500822  |
| DB zinc plating 150/11 H  | 11              | 150                  | with plugs         | 70           | 2500624  |
| DB zinc plating 150/16 H  | 16              | 150                  | with plugs         | 95           | 2500824  |
| DB zinc plating 250/11 H  | 11              | 250                  | Recess             | 100          | 2500626  |
| DB zinc plating 250/16 H  | 16              | 250                  | Recess             | 120          | 2500826  |
| DB zinc plating 500/11 H  | 11              | 500                  | Recess             | 150          | 2500651  |
| DB zinc plating 500/16 H  | 16              | 500                  | Recess             | 150          | 2500851  |
| DB zinc plating 750/11 H  | 11              | 750                  | Recess             | 210          | 2500676  |
| DB zinc plating 750/16 H  | 16              | 750                  | Recess             | 280          | 2500876  |
| DB zinc plating 1000/11 H | 11              | 1,000                | 2 x recess         | 300          | 2500681  |
| DB zinc plating 1000/16 H | 16              | 1,000                | 2 x recess         | 380          | 2500881  |
| DB zinc plating 2000/11 H | 11              | 2 000                | 2 x recess         | 480          | 2500701  |
| DB zinc plating 2000/16 H | 16              | 2 000                | 2 x recess         | 620          | 2500901  |
| DB zinc plating 5000/11 H | 11              | 5 000                | Manhole            | 1 020        | 2500731  |
| DB zinc plating 5000/16 H | 16              | 5 000                | Manhole            | 1 360        | 2500931  |



## Basic fitting set

### Basic fitting set 1/2" up to 750 l. 11 bar

- 1x three-way ball valve 1/2" with flange 60x25x10 (ASFIG34MS12)
- 1x low pressure ball valve 1/2" brass (H1502004000)
- 1x Manometer T 1/2" 16 bar, set to 11 bar (WW9022619)
- 1x safety valve HSV 1/2", 11 bar (H0620504110)
- 1x elbow 90°, 1/2", galvanized (FF4015889014051)

| Use with pressure vessel size | Pressure (bar) | Compressed air connection | Art. no. |
|-------------------------------|----------------|---------------------------|----------|
| up to 750 litres              | 11             | 1/2"                      | 2500611  |

### Basic fitting set 1/2" up to 750 l. 16 bar

- 1x three-way ball valve 1/2" with flange 60x25x10 (ASFIG34MS12)
- 1x low pressure ball valve 1/2" brass (H1502004000)
- 1x Manometer T 1/2" 25 bar, set to 16 bar (WW9012605)
- 1x safety valve HSV 1/2", 16 bar (H0620504160)
- 1x elbow 90°, 1/2", galvanized (FF4015889014051)

| Use with pressure vessel size | Pressure (bar) | Compressed air connection | Art. no. |
|-------------------------------|----------------|---------------------------|----------|
| up to 750 litres              | 16             | 1/2"                      | 2500616  |

### Basic fitting set 1" up to 1,000 l. 11 bar

- 1x three-way ball valve 1/2" with flange 60x25x10 (ASFIG34MS12)
- 1x low pressure ball valve 1" brass (H1502010000)
- 1x Manometer T 1/2" 16 bar, set to 11 bar (WW9022619)
- 1x safety valve HSV 1", 11 bar (H0620510110) NL/min. 1432
- 1x elbow 90°, 1", galvanized (FF4015889014259)

| Use with pressure vessel size | Pressure (bar) | Compressed air connection | Art. no. |
|-------------------------------|----------------|---------------------------|----------|
| as of 1,000 litres            | 11             | 1"                        | 2500612  |

### Basic fitting set 1" up to 1,000 l. 16 bar

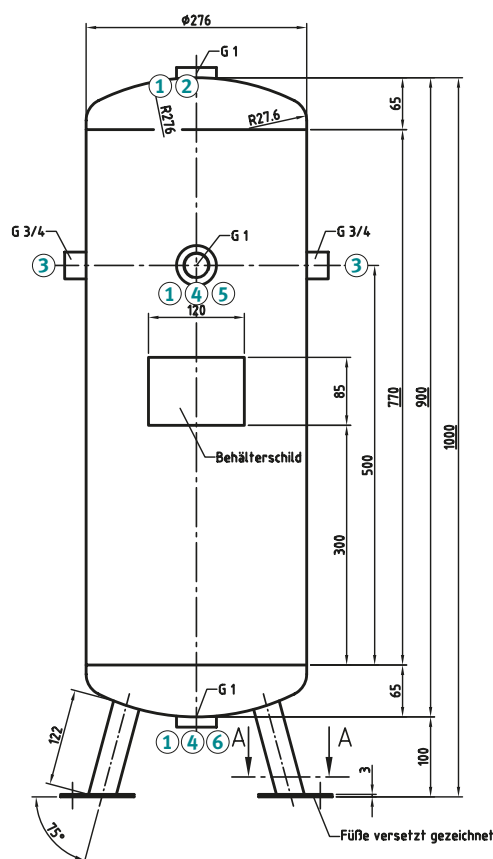
- 1x three-way ball valve 1/2" with flange 60x25x10 (ASFIG34MS12)
- 1x low pressure ball valve 1" brass (H1502010000)
- 1x Manometer T 1/2" 25 bar, set to 16 bar (WW9012605)
- 1x safety valve HSV 1", 16 bar (H0620510160) NL/min. 2032
- 1x elbow 90°, 1", galvanized (FF4015889014259)

| Use with pressure vessel size | Pressure (bar) | Compressed air connection | Art. no. |
|-------------------------------|----------------|---------------------------|----------|
| as of 1000 litres             | 16             | 1"                        | 2500617  |

## 50 l upright

### Upright type

| Type                    | Pressure<br>bar | Vessel<br>capacity<br>l | Manual/<br>Manhole | Weight<br>kg | Art. no. |
|-------------------------|-----------------|-------------------------|--------------------|--------------|----------|
| DB zinc plating 50/11 V | 11              | 50                      | with plugs         | 25           | 2500618  |
| DB zinc plating 50/16 V | 16              | 50                      | with plugs         | 25           | 2500818  |



DB VZ 50/11 V / DB VZ 50/16 V

#### Fitting set, complete for DB VZ 50/11 V

| For compressed air vessels |  |          |
|----------------------------|--|----------|
| Pressure                   | air vessels                            | Art. no. |
| 11 bar                     | 50 l upright                           | 2500510  |
| pieces                     | Type                                   |          |
| ① 3                        | Reducing nipple R 1" (OT)-RP 1/2" (IT) |          |
| ② 1                        | Safety valve 1/2" 10 bar               |          |
| ③ 2                        | Ball valve 3/4" IT/OT                  |          |
| ④ 2                        | Angle 90° 1/2" IT/OT                   |          |
| ⑤ 1                        | Pressure gauge 1/2" 0-16 bar, upright  |          |
| ⑥ 1                        | Ball valve 1/2" IT/OT                  |          |

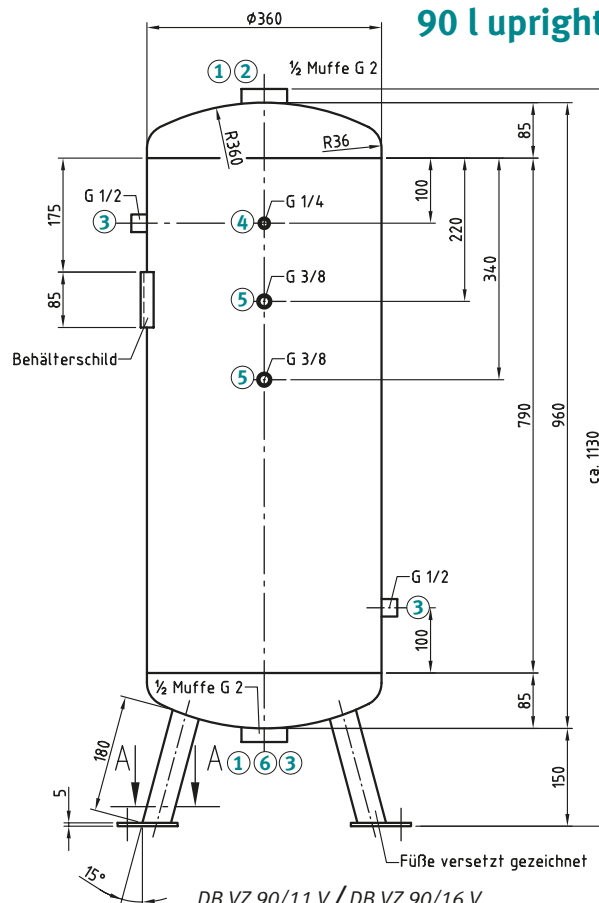
#### Fitting set, complete for DB VZ 50/16 V

| For compressed air vessels |  |          |
|----------------------------|--|----------|
| Pressure                   | air vessels                            | Art. no. |
| 16 bar                     | 50 l upright                           | 2500511  |
| pieces                     | Type                                   |          |
| ① 3                        | Reducing nipple R 1" (OT)-RP 1/2" (IT) |          |
| ② 1                        | Safety valve 1/2" 15 bar               |          |
| ③ 2                        | Ball valve 3/4" IT/OT                  |          |
| ④ 2                        | Angle 90° 1/2" IT/OT                   |          |
| ⑤ 1                        | Pressure gauge 1/2" 0-25 bar, upright  |          |
| ⑥ 1                        | Ball valve 1/2" IT/OT                  |          |

### Upright type

| Type                    | Pressure<br>bar | Vessel<br>capacity<br>l | Manual/<br>Manhole | Weight<br>kg | Art. no. |
|-------------------------|-----------------|-------------------------|--------------------|--------------|----------|
| DB zinc plating 90/11 V | 11              | 90                      | with plugs         | 40           | 2500620  |
| DB zinc plating 90/16 V | 16              | 90                      | with plugs         | 40           | 2500820  |

## 90 l upright



DB VZ 90/11 V / DB VZ 90/16 V

#### Fitting set, complete for DB VZ 90/11 V

| For compressed air vessels |  |          |
|----------------------------|--|----------|
| Pressure                   | air vessels                            | Art. no. |
| 11 bar                     | 90 l upright                           | 2500515  |
| pieces                     | Type                                   |          |
| ① 2                        | Reducing nipple R 2" (OT)-RP 1/2" (IT) |          |
| ② 1                        | Safety valve 1/2" 10 bar               |          |
| ③ 3                        | Ball valve 1/2" IT/OT                  |          |
| ④ 1                        | Pressure gauge 1/4" 0-16 bar, flat     |          |
| ⑤ 2                        | Blind plug 3/8"                        |          |
| ⑥ 1                        | Angle 90° 1/2" IT/OT                   |          |

#### Fitting set, complete for DB VZ 90/16 V

| For compressed air vessels |  |          |
|----------------------------|--|----------|
| Pressure                   | air vessels                            | Art. no. |
| 16 bar                     | 90 l upright                           | 2500516  |
| pieces                     | Type                                   |          |
| ① 2                        | Reducing nipple R 2" (OT)-RP 1/2" (IT) |          |
| ② 1                        | Safety valve 1/2" 15 bar               |          |
| ③ 3                        | Ball valve 1/2" IT/OT                  |          |
| ④ 1                        | Pressure gauge 1/4" 0-25 bar, upright  |          |
| ⑤ 2                        | Blind plug 3/8"                        |          |
| ⑥ 1                        | Angle 90° 1/2" IT/OT                   |          |

## 150 l upright

### Upright type

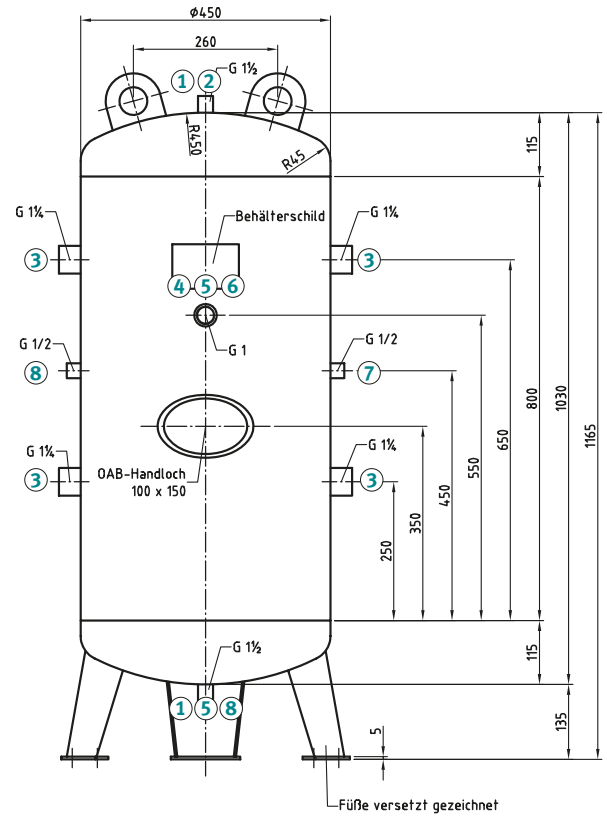
| Type                     | Pressure<br>bar | Vessel capacity<br>l | Manual/<br>Manhole | Weight<br>kg | Art. no. |
|--------------------------|-----------------|----------------------|--------------------|--------------|----------|
| DB zinc plating 150/11 V | 11              | 150                  | Recess             | 65           | 2500623  |
| DB zinc plating 150/16 V | 16              | 150                  | Recess             | 80           | 2500823  |

#### Fitting set, complete for DB VZ 150/11 V

| For compressed |  |          |
|----------------|--|----------|
| Pressure       | air vessels                                | Art. no. |
| 11 bar         | 150 l upright                              | 2500520  |
| pieces         | Type                                       |          |
| ①              | 2 Reducing nipple R 1 1/2"(OT)-RP 1/2"(IT) |          |
| ②              | 1 Safety valve 1/2" 10 bar                 |          |
| ③              | 4 Dummy plug 1 1/4"                        |          |
| ④              | 1 Reducing nipple R 1"(OT)-RP 1/2"(IT)     |          |
| ⑤              | 2 Angle 90° 1/2" IT/OT                     |          |
| ⑥              | 1 Pressure gauge 1/2" 0-16 bar, upright    |          |
| ⑦              | 1 Three-way ball valve 1/2"                |          |
| ⑧              | 2 Ball valve 1/2" IT/OT                    |          |

#### Fitting set, complete for DB VZ 150/16 V

| For compressed |  |          |
|----------------|--|----------|
| Pressure       | air vessels                                | Art. no. |
| 16 bar         | 150 l upright                              | 2500521  |
| pieces         | Type                                       |          |
| ①              | 2 Reducing nipple R 1 1/2"(OT)-RP 1/2"(IT) |          |
| ②              | 1 Safety valve 1/2" 15 bar                 |          |
| ③              | 4 Dummy plug 1 1/4"                        |          |
| ④              | 1 Reducing nipple R 1"(OT)-RP 1/2"(IT)     |          |
| ⑤              | 2 Angle 90° 1/2" IT/OT                     |          |
| ⑥              | 1 Pressure gauge 1/2" 0-25 bar, upright    |          |
| ⑦              | 1 Three-way ball valve 1/2"                |          |
| ⑧              | 2 Ball valve 1/2" IT/OT                    |          |



DB VZ 150/11 V / DB VZ 150/16 V

### Upright type

| Type                     | Pressure<br>bar | Vessel capacity<br>l | Manual/<br>Manhole | Weight<br>kg | Art. no. |
|--------------------------|-----------------|----------------------|--------------------|--------------|----------|
| DB zinc plating 250/11 V | 11              | 250                  | Recess             | 110          | 2500625  |
| DB zinc plating 250/16 V | 16              | 250                  | Recess             | 120          | 2500825  |

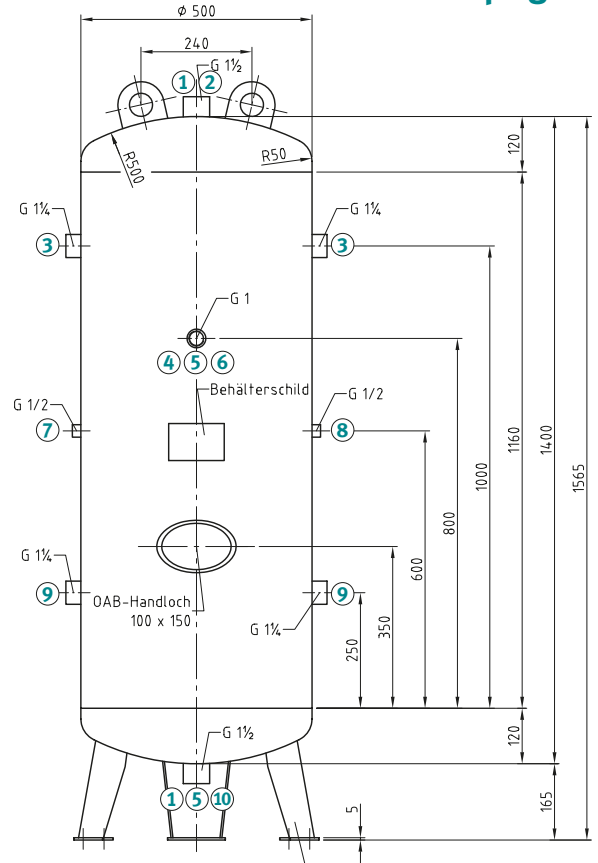
## 250 l upright

#### Fitting set, complete for DB VZ 250/11 V

| For compressed |  |          |
|----------------|--|----------|
| Pressure       | air vessels                                | Art. no. |
| 11 bar         | 250 l upright                              | 2500525  |
| pieces         | Type                                       |          |
| ①              | 2 Reducing nipple R 1 1/2"(OT)-RP 1/2"(IT) |          |
| ②              | 1 Safety valve 1/2" 10 bar                 |          |
| ③              | 2 Dummy plug 1 1/4"                        |          |
| ④              | 1 Reducing nipple R 1"(OT)-RP 1/2"(IT)     |          |
| ⑤              | 2 Angle 90° 1/2" IT/OT                     |          |
| ⑥              | 1 Pressure gauge 1/2" 0-16 bar, upright    |          |
| ⑦              | 1 Blind plug 1/2"                          |          |
| ⑧              | 1 Three-way ball valve 1/2" OT/2xIT        |          |
| ⑨              | 2 Ball valve 1 1/4" IT/OT                  |          |
| ⑩              | 1 Ball valve 1/2" IT/OT                    |          |

#### Fitting set, complete for DB VZ 250/16 V

| For compressed |  |          |
|----------------|--|----------|
| Pressure       | air vessels                                | Art. no. |
| 16 bar         | 250 l upright                              | 2500526  |
| pieces         | Type                                       |          |
| ①              | 2 Reducing nipple R 1 1/2"(OT)-RP 1/2"(IT) |          |
| ②              | 1 Safety valve 1/2" 15 bar                 |          |
| ③              | 2 Dummy plug 1 1/4"                        |          |
| ④              | 1 Reducing nipple R 1"(OT)-RP 1/2"(IT)     |          |
| ⑤              | 2 Angle 90° 1/2" IT/OT                     |          |
| ⑥              | 1 Pressure gauge 1/2" 0-25 bar, upright    |          |
| ⑦              | 1 Blind plug 1/2"                          |          |
| ⑧              | 1 Three-way ball valve 1/2"                |          |
| ⑨              | 2 Ball valve 1 1/4" IT/OT                  |          |
| ⑩              | 1 Ball valve 1/2" IT/OT                    |          |



DB VZ 250/11 V / DB VZ 250/16 V

## Upright type

| Type                     | Pressure<br>bar | Vessel capacity<br>l | Manual/<br>Manhole | Weight<br>kg | Art. no. |
|--------------------------|-----------------|----------------------|--------------------|--------------|----------|
| DB zinc plating 500/11 V | 11              | 500                  | Recess             | 150          | 2500650  |
| DB zinc plating 500/16 V | 16              | 500                  | Recess             | 180          | 2500850  |

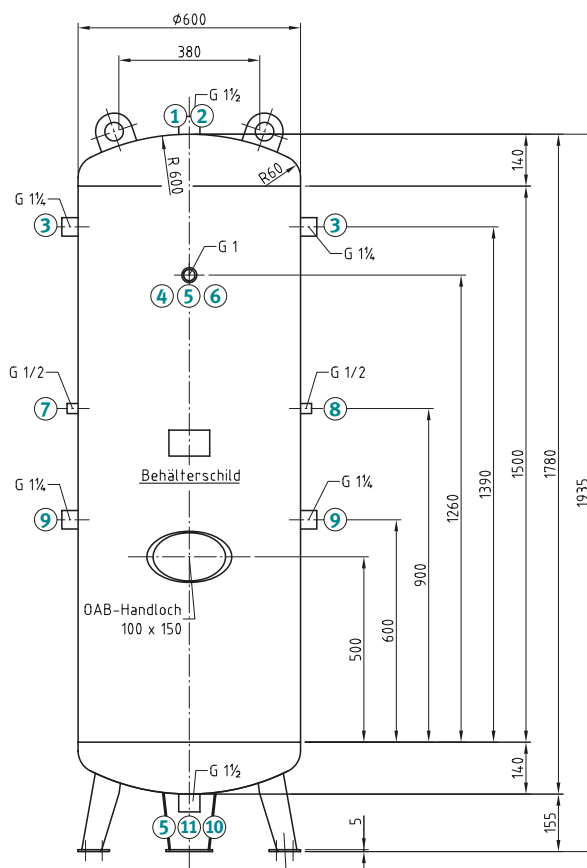
## 500 l upright

### Fitting set, complete for DB VZ 500/11 V

| For compressed |  |          |
|----------------|--|----------|
| Pressure       | air vessels                                | Art. no. |
| 11 bar         | 500 l upright                              | 2500530  |
| pieces         | Type                                       |          |
| ①              | 1 Reducing nipple R 1 1/2"(OT)-RP 3/4"(IT) |          |
| ②              | 1 Safety valve 3/4" 10 bar                 |          |
| ③              | 2 Dummy plug 1 1/4"                        |          |
| ④              | 1 Reducing nipple R 1"(OT)-RP 1/2"(IT)     |          |
| ⑤              | 2 Angle 90° 1/2" IT/OT                     |          |
| ⑥              | 1 Pressure gauge 1/2" 0-16 bar, upright    |          |
| ⑦              | 1 Blind plug 1/2"                          |          |
| ⑧              | 1 Three-way ball valve 1/2"                |          |
| ⑨              | 2 Ball valve 1 1/4" IT/OT                  |          |
| ⑩              | 1 Reducing nipple R 1 1/2"(OT)-RP 1/2"(IT) |          |
| ⑪              | 1 Ball valve 1/2" IT/OT                    |          |

### Fitting set, complete for DB VZ 500/16 V

| For compressed |  |          |
|----------------|--|----------|
| Pressure       | air vessels                                | Art. no. |
| 16 bar         | 500 l upright                              | 2500531  |
| pieces         | Type                                       |          |
| ①              | 1 Reducing nipple R 1 1/2"(OT)-RP 3/4"(IT) |          |
| ②              | 1 Safety valve 3/4" 15 bar                 |          |
| ③              | 2 Dummy plug 1 1/4"                        |          |
| ④              | 1 Reducing nipple R 1"(OT)-RP 1/2"(IT)     |          |
| ⑤              | 2 Angle 90° 1/2" IT/OT                     |          |
| ⑥              | 1 Pressure gauge 1/2" 0-25 bar, upright    |          |
| ⑦              | 1 Blind plug 1/2"                          |          |
| ⑧              | 1 Three-way ball valve 1/2"                |          |
| ⑨              | 2 Ball valve 1 1/4" IT/OT                  |          |
| ⑩              | 1 Reducing nipple R 1 1/2"(OT)-RP 1/2"(IT) |          |
| ⑪              | 1 Ball valve 1/2" IT/OT                    |          |



DB VZ 500/11 V / DB VZ 500/16 V FüÙe versetzt gezeichnet

## Upright type

| Type                     | Pressure<br>bar | Vessel capacity<br>l | Manual/<br>Manhole | Weight<br>kg | Art. no. |
|--------------------------|-----------------|----------------------|--------------------|--------------|----------|
| DB zinc plating 750/11 V | 11              | 750                  | Recess             | 200          | 2500675  |
| DB zinc plating 750/16 V | 16              | 750                  | Recess             | 275          | 2500875  |

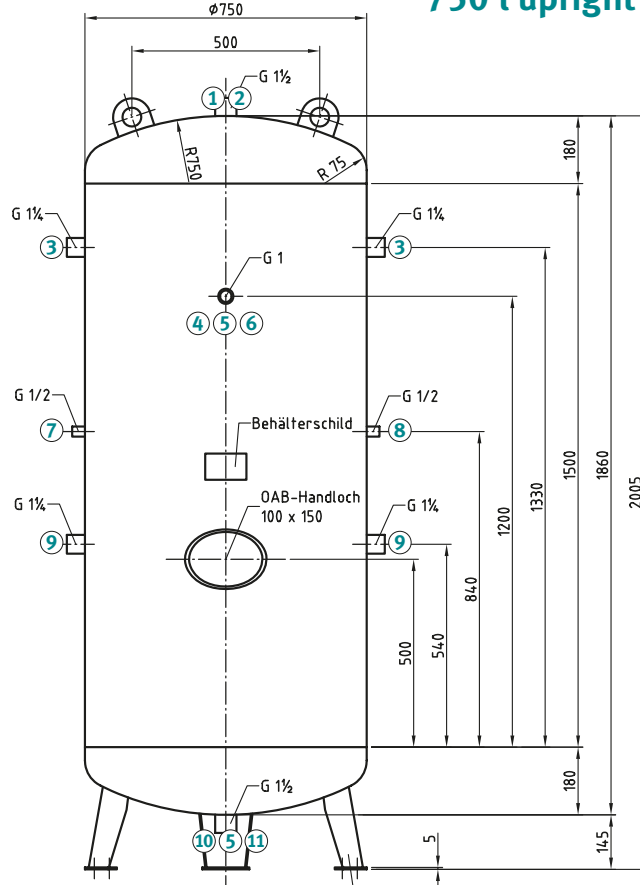
## 750 l upright

### Fitting set, complete for DB VZ 750/11 V

| For compressed |  |          |
|----------------|--|----------|
| Pressure       | air vessels                                | Art. no. |
| 11 bar         | 750 l upright                              | 2500535  |
| pieces         | Type                                       |          |
| ①              | 1 Reducing nipple R 1 1/2"(OT)-RP 3/4"(IT) |          |
| ②              | 1 Safety valve 3/4" 10 bar                 |          |
| ③              | 2 Dummy plug 1 1/4"                        |          |
| ④              | 1 Reducing nipple R 1"(OT)-RP 1/2"(IT)     |          |
| ⑤              | 2 Angle 90° 1/2" IT/OT                     |          |
| ⑥              | 1 Pressure gauge 1/2" 0-16 bar, upright    |          |
| ⑦              | 1 Blind plug 1/2"                          |          |
| ⑧              | 1 Three-way ball valve 1/2"                |          |
| ⑨              | 2 Ball valve 1 1/4" IT/OT                  |          |
| ⑩              | 1 Reducing nipple R 1 1/2"(OT)-RP 1/2"(IT) |          |
| ⑪              | 1 Ball valve 1/2" IT/OT                    |          |

### Fitting set, complete for DB VZ 750/16 V

| For compressed |  |          |
|----------------|--|----------|
| Pressure       | air vessels                                | Art. no. |
| 16 bar         | 750 l upright                              | 2500536  |
| pieces         | Type                                       |          |
| ①              | 1 Reducing nipple R 1 1/2"(OT)-RP 3/4"(IT) |          |
| ②              | 1 Safety valve 3/4" 15 bar                 |          |
| ③              | 2 Dummy plug 1 1/4"                        |          |
| ④              | 1 Reducing nipple R 1"(OT)-RP 1/2"(IT)     |          |
| ⑤              | 2 Angle 90° 1/2" IT/OT                     |          |
| ⑥              | 1 Pressure gauge 1/2" 0-25 bar, upright    |          |
| ⑦              | 1 Blind plug 1/2"                          |          |
| ⑧              | 1 Three-way ball valve 1/2"                |          |
| ⑨              | 2 Ball valve 1 1/4" IT/OT                  |          |
| ⑩              | 1 Reducing nipple R 1 1/2"(OT)-RP 1/2"(IT) |          |
| ⑪              | 1 Ball valve 1/2" IT/OT                    |          |

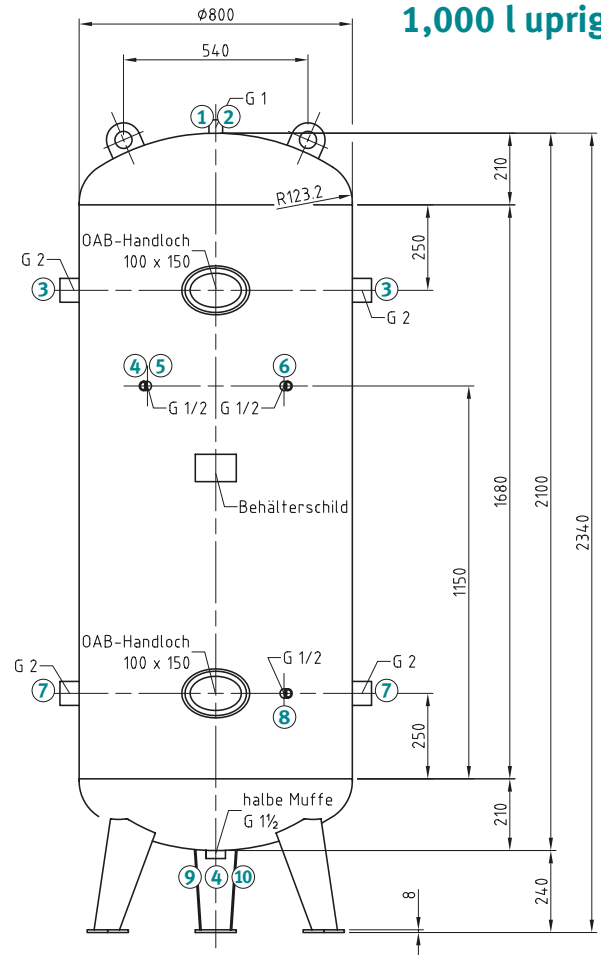


DB VZ 750/11 V / DB VZ 750/16 V FüÙe versetzt gezeichnet

Upright type

| Type                      | Pressure<br>bar | Vessel capacity<br>l | Manual/<br>Manhole | Weight<br>kg | Art. no. |
|---------------------------|-----------------|----------------------|--------------------|--------------|----------|
| DB zinc plating 1000/11 V | 11              | 1,000                | Recess             | 315          | 2500680  |
| DB zinc plating 1000/16 V | 16              | 1,000                | Recess             | 380          | 2500880  |

1,000 l upright



DB VZ 1000/11 V / DB VZ 1000/16 V

Fitting set, complete for DB VZ 1000/11 V

For compressed

| Pressure | air vessels     | Art. no. |
|----------|-----------------|----------|
| 11 bar   | 1,000 l upright | 2500540  |

| pieces | Type                                       |
|--------|--|
| 1      | Reducing nipple R 1" (OT)-RP 3/4" (IT)     |
| 1      | Safety valve 3/4" 10 bar                   |
| 2      | Dummy plug 2"                              |
| 2      | Angle 90° 1/2" IT/OT                       |
| 1      | Pressure gauge 1/2" 0-16 bar, upright      |
| 1      | Three-way ball valve 1/2"                  |
| 2      | Ball valve 2"                              |
| 1      | Blind plug 1/2"                            |
| 1      | Reducing nipple R 1 1/2" (OT)-RP 1/2" (IT) |
| 1      | Ball valve 1/2" IT/OT                      |

Fitting set, complete for DB VZ 1000/16 V

For compressed

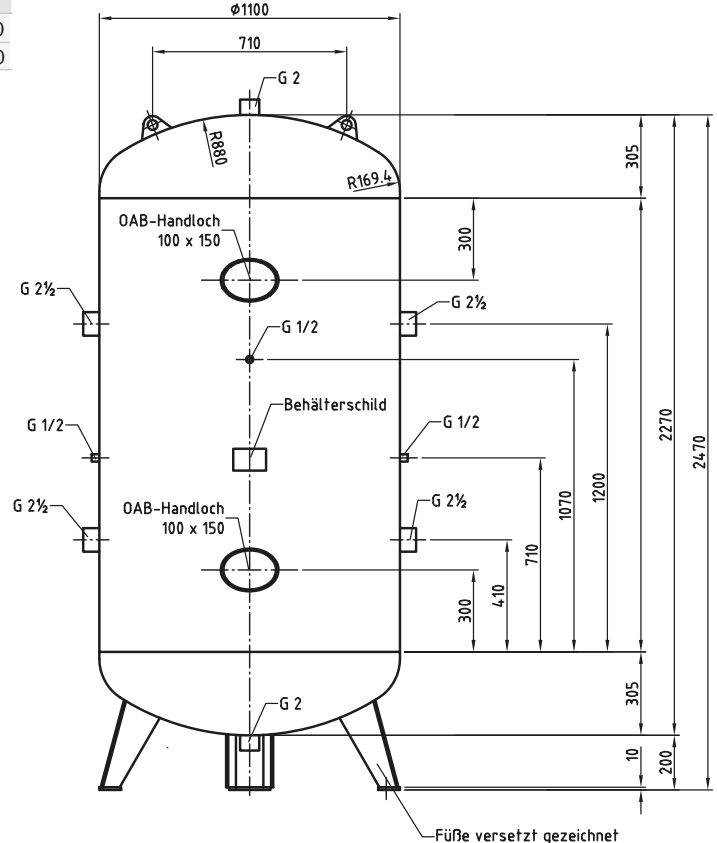
| Pressure | air vessels     | Art. no. |
|----------|-----------------|----------|
| 16 bar   | 1,000 l upright | 2500541  |

| pieces | Type                                       |
|--------|--|
| 1      | Reducing nipple R 1" (OT)-RP 3/4" (IT)     |
| 1      | Safety valve 3/4" 15 bar                   |
| 2      | Dummy plug 2"                              |
| 2      | Angle 90° 1/2" IT/OT                       |
| 1      | Pressure gauge 1/2" 0-25 bar, upright      |
| 1      | Three-way ball valve 1/2"                  |
| 2      | Ball valve 2"                              |
| 1      | Blind plug 1/2"                            |
| 1      | Reducing nipple R 1 1/2" (OT)-RP 1/2" (IT) |
| 1      | Ball valve 1/2" IT/OT                      |

Upright type

| Type                      | Pressure<br>bar | Vessel capacity<br>l | Manual/<br>Manhole | Weight<br>kg | Art. no. |
|---------------------------|-----------------|----------------------|--------------------|--------------|----------|
| DB zinc plating 2000/11 V | 11              | 2 000                | Recess             | 500          | 2500700  |
| DB zinc plating 2000/16 V | 16              | 2 000                | Recess             | 620          | 2500900  |

2,000 l upright



DB VZ 2000/11 V / DB VZ 2000/16 V

## 3,000 l upright

### Upright type

| Type                      | Pressure | Vessel capacity | Manual/Manhole | Weight | Art. no. |
|---------------------------|----------|-----------------|----------------|--------|----------|
|                           | bar      | l               |                | kg     |          |
| DB zinc plating 3000/11 V | 11       | 3,000           | Recess         | 660    | 2500710  |
| DB zinc plating 3000/16 V | 16       | 3,000           | Recess         | 850    | 2500910  |

## 5,000 l upright

### Upright type

| Type                      | Pressure | Vessel capacity | Manual/Manhole | Weight | Art. no. |
|---------------------------|----------|-----------------|----------------|--------|----------|
|                           | bar      | l               |                | kg     |          |
| DB zinc plating 5000/11 V | 11       | 5 000           | Manhole        | 1,070  | 2500730  |
| DB zinc plating 5000/16 V | 16       | 5 000           | Manhole        | 1,430  | 2500930  |

### Basic fitting set 1" as of 1000 l, 11 bar

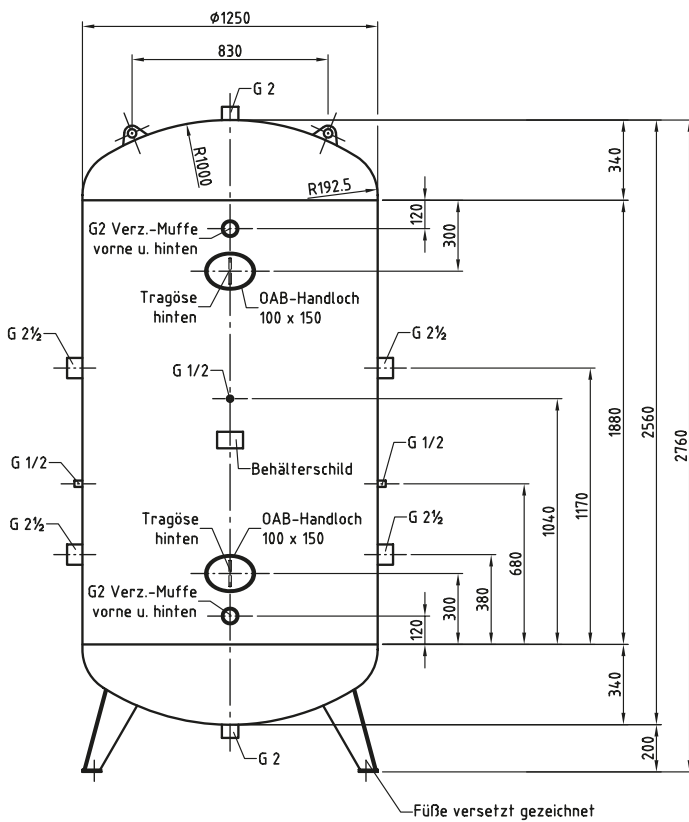
- 1x three-way ball valve 1/2" with flange 60x25x10 (ASFIG34MS12)
- 1x low pressure ball valve 1" brass (H1502010000)
- 1x Manometer T 1/2" 16 bar, set to 11 bar (WW9022619)
- 1x safety valve HSV 1", 11 bar (H0620510110) NL/min. 1432
- 1x elbow 90°, 1", galvanized (FF4015889014259)

| Use with pressure vessel size | Pressure (bar) | Compressed air connection | Art. no. |
|-------------------------------|----------------|---------------------------|----------|
| as of 1,000 litres            | 11             | 1"                        | 2500612  |

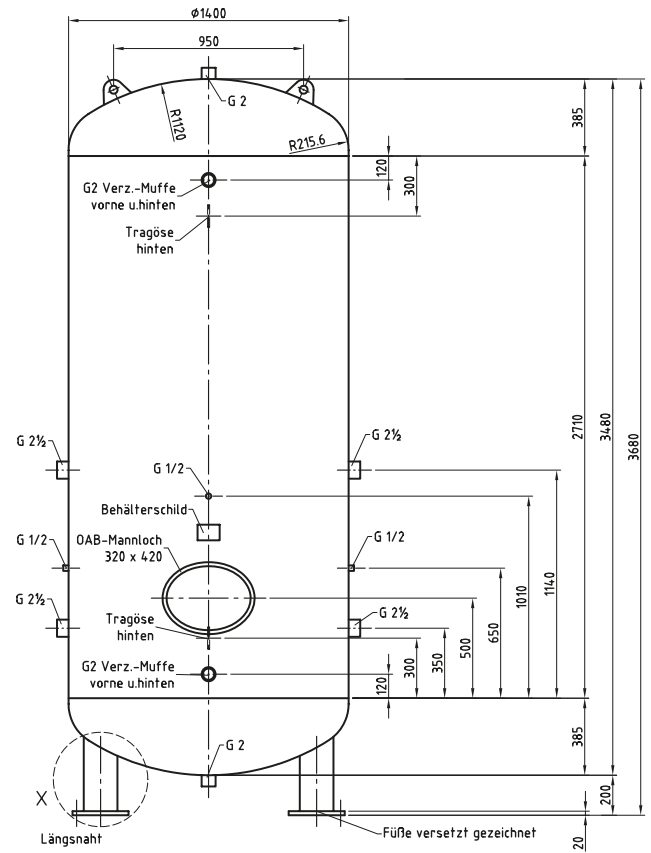
### Basic fitting set 1" as of 1000 l, 16 bar

- 1x three-way ball valve 1/2" with flange 60x25x10 (ASFIG34MS12)
- 1x low pressure ball valve 1" brass (H1502010000)
- 1x Manometer T 1/2" 25 bar, set to 16 bar (WW9012605)
- 1x safety valve HSV 1", 16 bar (H0620510160) NL/min. 2032
- 1x elbow 90°, 1", galvanized (FF4015889014259)

| Use with pressure vessel size | Pressure (bar) | Compressed air connection | Art. no. |
|-------------------------------|----------------|---------------------------|----------|
| as of 1000 litres             | 16             | 1"                        | 2500617  |



DB VZ 3000/11 V / DB VZ 3000/16 V



DB VZ 5000/11 V / DB VZ 5000/16 V

## Components for compressed air systems



| Teflon sealing tape                                  | Art. no. |
|--|----------|
| 12 m x 12 mm x 0.1 mm<br>60 g/m <sup>2</sup> (PU 10) | 2500020  |



| Dummy plug, brass | Art. no.     |
|-------------------|--------------|
| Blind plug 1/8"   | PU25 2200211 |
| Blind plug 1/4"   | PU25 2200212 |
| Blind plug 3/8"   | PU25 2200213 |
| Blind plug 1/2"   | PU25 2200214 |



| Dummy plug, galvanized steel | Art. no.     |
|------------------------------|--------------|
| Dummy plug 1/4"              | PU1 22511667 |
| Dummy plug 1/2"              | PU1 22511668 |
| Dummy plug 2"                | PU1 22511669 |
| Dummy plug 2 1/2"            | PU1 22511671 |

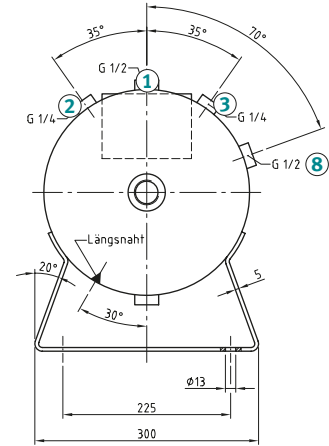
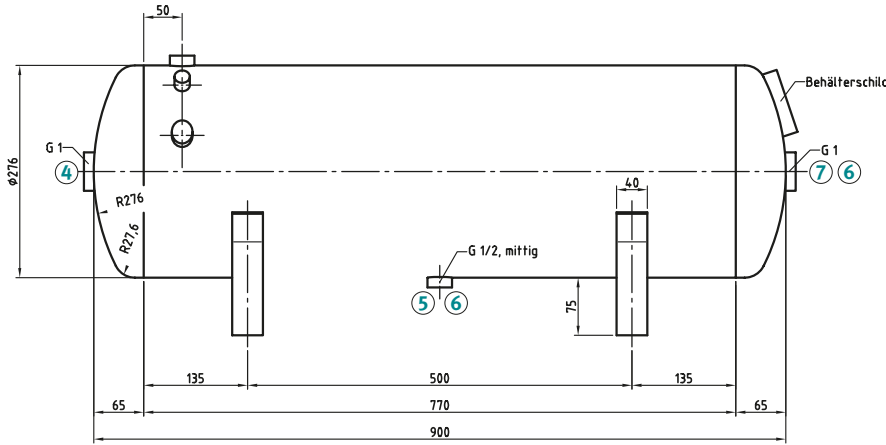


| Screw plug   | Art. no.    |
|--|-------------|
| <b>Sealing screw 1/4" thread</b> with hexagon socket as per ISO 228-1, brass CW614N / SW22               | 22525292    |
| <b>Sealing screw T 3/8" thread</b> brass, with hexagon socket 8 mm as per ISO 228-1, Brass CW614N/size 8 | 22525293    |
| <b>Sealing screw 1/2" thread</b> Hex. head as per ISO 228-1, Brass CW614N / SW24                         | 22525298    |
| <b>Sealing screw 3/4" thread</b> Cylindrical outside thread / nickel plated brass/size 17                | 22525299 N  |
| <b>Screw plug T 1"</b> Nickel plated brass, cylindrical outside as per ISO 228-1/size 36                 | 225252100 N |

50 l flat

Horizontal type

| Type                    | Pressure<br>bar | Vessel<br>capacity<br>l | Manual/<br>Manhole | Weight<br>kg | Art. no. |
|-------------------------|-----------------|-------------------------|--------------------|--------------|----------|
| DB zinc plating 50/11 H | 11              | 50                      | with plugs         | 25           | 2500619  |
| DB zinc plating 50/16 H | 16              | 50                      | with plugs         | 25           | 2500819  |



DB VZ 50/11 H / DB VZ 50/16 H

Fitting set, complete for DB VZ 50/11 H

| For compressed |                                      |          |
|----------------|--------------------------------------|----------|
| Pressure       | air vessels                          | Art. no. |
| 11 bar         | 50 l flat                            | 2500512  |
| pieces         | Type                                 |          |
| 1              | Safety valve 1/2" 10 bar             |          |
| 1              | Blind plug 1/4"                      |          |
| 1              | Pressure gauge 1/4" 0-16 bar, flat   |          |
| 1              | Dummy plug 1"                        |          |
| 1              | Angle 90° 1/2" IT/OT                 |          |
| 2              | Ball valve 1/2" IT/OT                |          |
| 1              | Reducing nipple R 1"(OT)-RP 1/2"(IT) |          |
| 1              | Blind plug 1/2"                      |          |

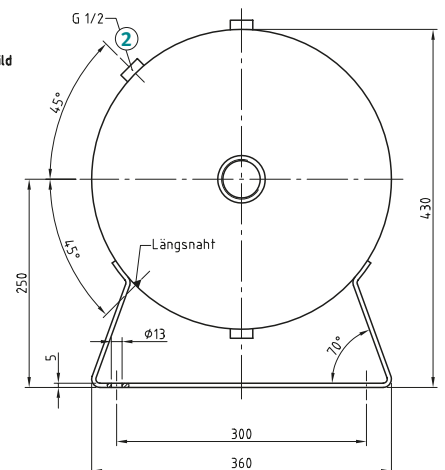
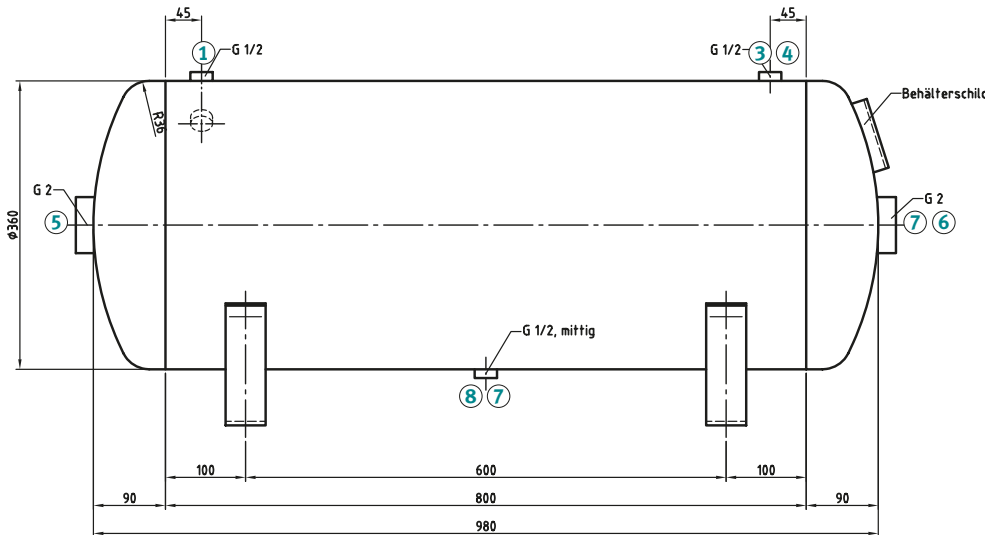
Fitting set, complete for DB VZ 50/16 H

| For compressed |                                      |          |
|----------------|--------------------------------------|----------|
| Pressure       | air vessels                          | Art. no. |
| 16 bar         | 50 l flat                            | 2500513  |
| pieces         | Type                                 |          |
| 1              | Safety valve 1/2" 15 bar             |          |
| 1              | Blind plug 1/4"                      |          |
| 1              | Pressure gauge 1/4" 0-25 bar, flat   |          |
| 1              | Dummy plug 1"                        |          |
| 1              | Angle 90° 1/2" IT/OT                 |          |
| 2              | Ball valve 1/2" IT/OT                |          |
| 1              | Reducing nipple R 1"(OT)-RP 1/2"(IT) |          |
| 1              | Blind plug 1/2"                      |          |

Horizontal type

| Type                    | Pressure<br>bar | Vessel<br>capacity<br>l | Manual/<br>Manhole | Weight<br>kg | Art. no. |
|-------------------------|-----------------|-------------------------|--------------------|--------------|----------|
| DB zinc plating 90/11 H | 11              | 90                      | with plugs         | 35           | 2500622  |
| DB zinc plating 90/16 H | 16              | 90                      | with plugs         | 35           | 2500822  |

90 l flat



DB VZ 90/11 H / DB VZ 90/16 H

Fitting set, complete for DB VZ 90/11 H

| For compressed |  |          |
|----------------|--|----------|
| Pressure       | air vessels                            | Art. no. |
| 11 bar         | 90 l flat                              | 2500517  |
| pieces         | Type                                   |          |
| 1              | Safety valve 1/2" 10 bar               |          |
| 1              | Blind plug 1/2"                        |          |
| 1              | Reducing nipple R 1/2"(OT)-RP 1/4"(IT) |          |
| 1              | Pressure gauge 1/4" 0-16 bar, upright  |          |
| 1              | Dummy plug 2"                          |          |
| 1              | Reducing nipple R 2"(OT)-RP 1/2"(IT)   |          |
| 2              | Ball valve 1/2" IT/OT                  |          |
| 1              | Angle 90° 1/2" IT/OT                   |          |

Fitting set, complete for DB VZ 90/16 H

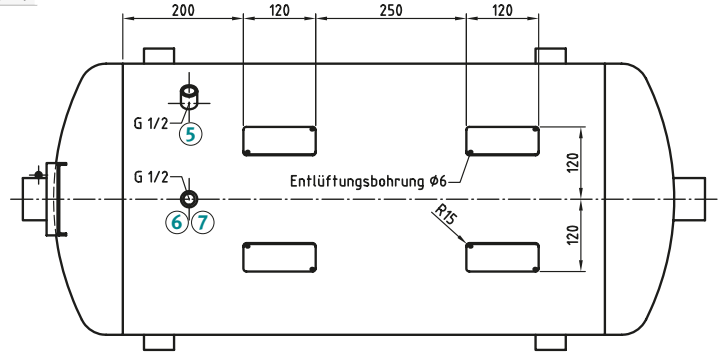
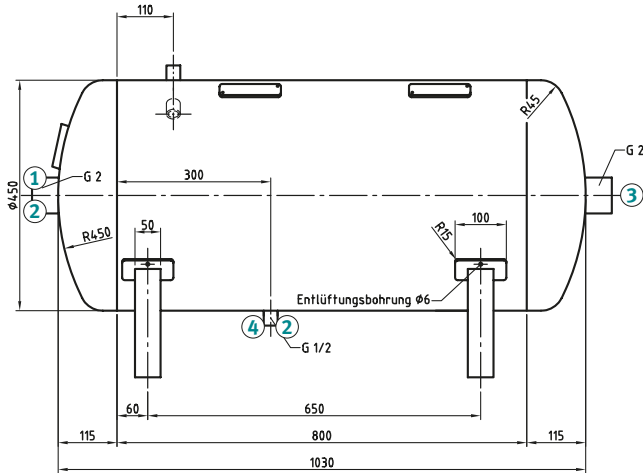
| For compressed |  |          |
|----------------|--|----------|
| Pressure       | air vessels                            | Art. no. |
| 16 bar         | 90 l flat                              | 2500518  |
| pieces         | Type                                   |          |
| 1              | Safety valve 1/2" 15 bar               |          |
| 1              | Blind plug 1/2"                        |          |
| 1              | Reducing nipple R 1/2"(OT)-RP 1/4"(IT) |          |
| 1              | Pressure gauge 1/4" 0-25 bar, upright  |          |
| 1              | Dummy plug 2"                          |          |
| 1              | Reducing nipple R 2"(OT)-RP 1/2"(IT)   |          |
| 2              | Ball valve 1/2" IT/OT                  |          |
| 1              | Angle 90° 1/2" IT/OT                   |          |

# Components for compressed air systems

150 l flat

## Horizontal type

| Type                     | Pressure<br>bar | Vessel capacity<br>l | Manual/<br>Manhole | Weight<br>kg | Art. no. |
|--------------------------|-----------------|----------------------|--------------------|--------------|----------|
| DB zinc plating 150/11 H | 11              | 150                  | with plugs         | 70           | 2500624  |
| DB zinc plating 150/16 H | 16              | 150                  | with plugs         | 95           | 2500824  |



DB VZ 150/11 H / DB VZ 150/16 H

### Fitting set, complete for DB VZ 150/11 H

| For compressed air vessels |  |          |
|----------------------------|--|----------|
| Pressure                   | air vessels                                | Art. no. |
| 11 bar                     | 150 l flat                                 | 2500522  |
| pieces                     | Type                                       |          |
| ①                          | 1 Reducing nipple R 2" (OT)-RP 1/2" (IT)   |          |
| ②                          | 2 Ball valve 1/2" IT/OT                    |          |
| ③                          | 1 Dummy plug 2"                            |          |
| ④                          | 1 Angle 90° 1/2" IT/OT                     |          |
| ⑤                          | 1 Safety valve 1/2" 10 bar                 |          |
| ⑥                          | 1 Reducing nipple R 1/2" (OT)-RP 1/4" (IT) |          |
| ⑦                          | 1 Pressure gauge 1/4" 0-16 bar, upright    |          |

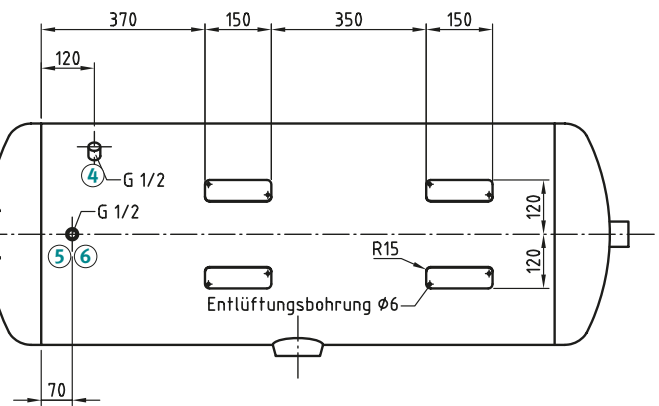
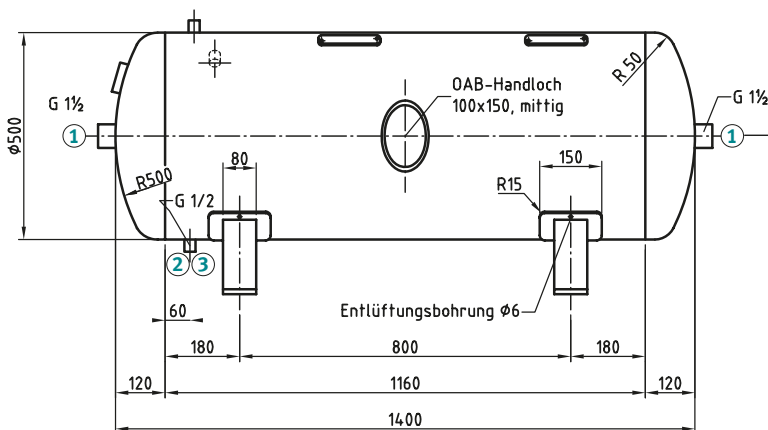
### Fitting set, complete for DB VZ 150/16 H

| For compressed air vessels |  |          |
|----------------------------|--|----------|
| Pressure                   | air vessels                                | Art. no. |
| 16 bar                     | 150 l flat                                 | 2500523  |
| pieces                     | Type                                       |          |
| ①                          | 1 Reducing nipple R 2" (OT)-RP 1/2" (IT)   |          |
| ②                          | 2 Ball valve 1/2" IT/OT                    |          |
| ③                          | 1 Dummy plug 2"                            |          |
| ④                          | 1 Angle 90° 1/2" IT/OT                     |          |
| ⑤                          | 1 Safety valve 1/2" 15 bar                 |          |
| ⑥                          | 1 Reducing nipple R 1/2" (OT)-RP 1/4" (IT) |          |
| ⑦                          | 1 Pressure gauge 1/4" 0-25 bar, upright    |          |

## Horizontal type

| Type                     | Pressure<br>bar | Vessel capacity<br>l | Manual/<br>Manhole | Weight<br>kg | Art. no. |
|--------------------------|-----------------|----------------------|--------------------|--------------|----------|
| DB zinc plating 250/11 H | 11              | 250                  | Recess             | 100          | 2500626  |
| DB zinc plating 250/16 H | 16              | 250                  | Recess             | 120          | 2500826  |

250 l flat



DB VZ 250/11 H / DB VZ 250/16 H

### Fitting set, complete for DB VZ 250/11 H

| For compressed air vessels |  |          |
|----------------------------|--|----------|
| Pressure                   | air vessels                                | Art. no. |
| 11 bar                     | 250 l flat                                 | 2500527  |
| pieces                     | Type                                       |          |
| ①                          | 2 Ball valve 1 1/2" IT/OT                  |          |
| ②                          | 1 Angle 90° 1/2" IT/OT                     |          |
| ③                          | 1 Ball valve 1/2" IT/OT                    |          |
| ④                          | 1 Safety valve 1/2" 10 bar                 |          |
| ⑤                          | 1 Reducing nipple R 1/2" (OT)-RP 1/4" (IT) |          |
| ⑥                          | 1 Pressure gauge 1/4" 0-16 bar, upright    |          |

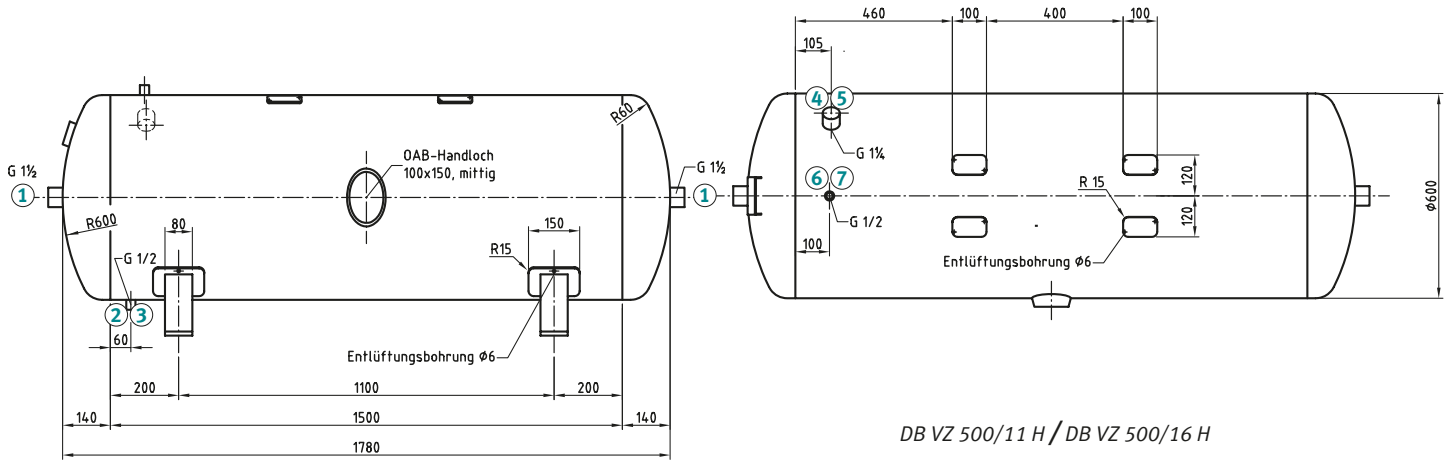
### Fitting set, complete for DB VZ 250/16 H

| For compressed air vessels |  |          |
|----------------------------|--|----------|
| Pressure                   | air vessels                                | Art. no. |
| 16 bar                     | 250 l flat                                 | 2500528  |
| pieces                     | Type                                       |          |
| ①                          | 2 Ball valve 1 1/2" IT/OT                  |          |
| ②                          | 1 Angle 90° 1/2" IT/OT                     |          |
| ③                          | 1 Ball valve 1/2" IT/OT                    |          |
| ④                          | 1 Safety valve 1/2" 15 bar                 |          |
| ⑤                          | 1 Reducing nipple R 1/2" (OT)-RP 1/4" (IT) |          |
| ⑥                          | 1 Pressure gauge 1/4" 0-25 bar, upright    |          |

Horizontal type

500 l flat

| Type                     | Pressure<br>bar | Vessel capacity<br>l | Manual/<br>Manhole | Weight<br>kg | Art. no. |
|--------------------------|-----------------|----------------------|--------------------|--------------|----------|
| DB zinc plating 500/11 H | 11              | 500                  | Recess             | 150          | 2500651  |
| DB zinc plating 500/16 H | 16              | 500                  | Recess             | 150          | 2500851  |



DB VZ 500/11 H / DB VZ 500/16 H

Fitting set, complete for DB VZ 500/11 H

| Pressure | air vessels | Art. no. |
|----------|-------------|----------|
| 11 bar   | 500 l flat  | 2500532  |

| pieces | Type                                       |
|--------|--|
| ①      | 2 Ball valve 1 1/2" IT/OT                  |
| ②      | 1 Angle 90° 1/2" IT/OT                     |
| ③      | 1 Ball valve 1/2" IT/OT                    |
| ④      | 1 Reducing nipple R 1 1/4"(OT)-RP 1/2"(IT) |
| ⑤      | 1 Safety valve 1/2" 10 bar                 |
| ⑥      | 1 Reducing nipple R 1/2"(OT)-RP 1/4"(IT)   |
| ⑦      | 1 Pressure gauge 1/4" 0-16 bar, upright    |

Fitting set, complete for DB VZ 500/16 H

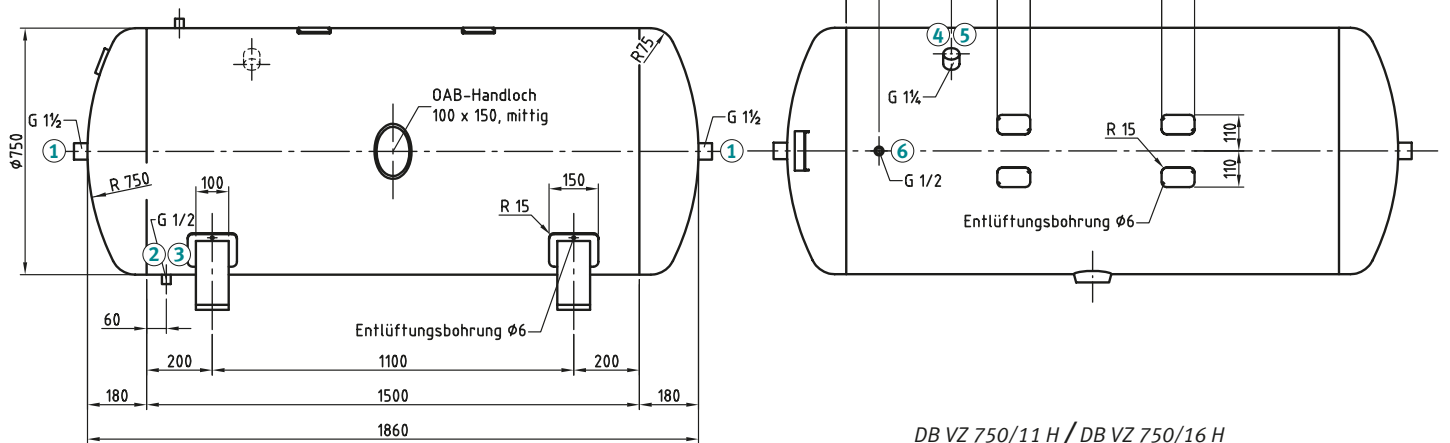
| Pressure | air vessels | Art. no. |
|----------|-------------|----------|
| 16 bar   | 500 l flat  | 2500533  |

| pieces | Type                                       |
|--------|--|
| ①      | 2 Ball valve 1 1/2" IT/OT                  |
| ②      | 1 Angle 90° 1/2" IT/OT                     |
| ③      | 1 Ball valve 1/2" IT/OT                    |
| ④      | 1 Reducing nipple R 1 1/4"(OT)-RP 1/2"(IT) |
| ⑤      | 1 Safety valve 1/2" 15 bar                 |
| ⑥      | 1 Reducing nipple R 1/2"(OT)-RP 1/4"(IT)   |
| ⑦      | 1 Pressure gauge 1/4" 0-25 bar, upright    |

Horizontal type

750 l flat

| Type                     | Pressure<br>bar | Vessel capacity<br>l | Manual/<br>Manhole | Weight<br>kg | Art. no. |
|--------------------------|-----------------|----------------------|--------------------|--------------|----------|
| DB zinc plating 750/11 H | 11              | 750                  | Recess             | 210          | 2500676  |
| DB zinc plating 750/16 H | 16              | 750                  | Recess             | 280          | 2500876  |



DB VZ 750/11 H / DB VZ 750/16 H

Fitting set, complete for DB VZ 750/11 H

| Pressure | air vessels | Art. no. |
|----------|-------------|----------|
| 11 bar   | 750 l flat  | 2500537  |

| pieces | Type                                     |
|--------|--|
| ①      | 2 Ball valve 1 1/2" IT/OT                |
| ②      | 1 Angle 90° 1/2" IT/OT                   |
| ③      | 1 Ball valve 1/2" IT/OT                  |
| ④      | 1 Reducing nipple R 1 1/4"(OT)-RP 1"(IT) |
| ⑤      | 1 Safety valve 1" 10 bar                 |
| ⑥      | 1 Pressure gauge 1/2" 0-16 bar, upright  |

Fitting set, complete for DB VZ 750/16 H

| Pressure | air vessels | Art. no. |
|----------|-------------|----------|
| 16 bar   | 750 l flat  | 2500538  |

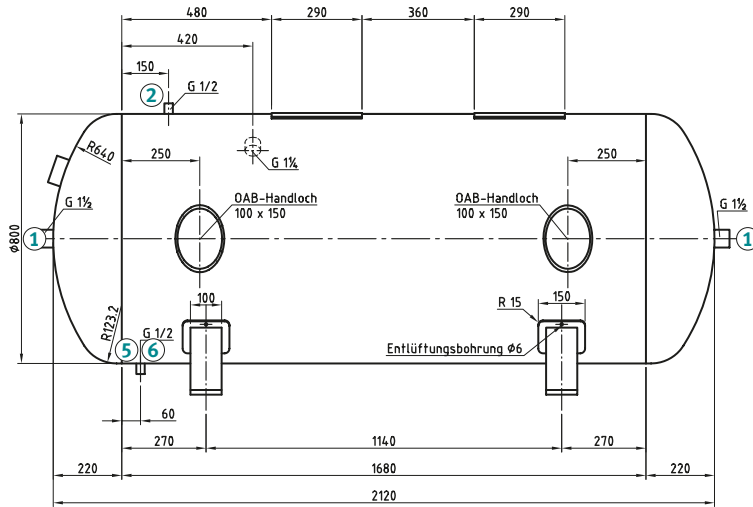
| pieces | Type                                     |
|--------|--|
| ①      | 2 Ball valve 1 1/2" IT/OT                |
| ②      | 1 Angle 90° 1/2" IT/OT                   |
| ③      | 1 Ball valve 1/2" IT/OT                  |
| ④      | 1 Reducing nipple R 1 1/4"(OT)-RP 1"(IT) |
| ⑤      | 1 Safety valve 1" 15 bar                 |
| ⑥      | 1 Pressure gauge 1/2" 0-25 bar, upright  |

# Components for compressed air systems

1,000 l flat

## Horizontal type

| Type                      | Pressure<br>bar | Vessel capacity<br>l | Manual/<br>Manhole | Weight<br>kg | Art. no. |
|---------------------------|-----------------|----------------------|--------------------|--------------|----------|
| DB zinc plating 1000/11 H | 11              | 1,000                | 2 x recess         | 300          | 2500681  |
| DB zinc plating 1000/16 H | 16              | 1,000                | 2 x recess         | 380          | 2500881  |



DB VZ 1000/11 H / DB VZ 1000/16 H

### Fitting set, complete for DB VZ 1000/11 H

| For compressed air vessels |              |  |
|----------------------------|--------------|--|
| Pressure                   | air vessels  | Art. no.                               |
| 11 bar                     | 1,000 l flat | 2500542                                |
| pieces                     | Type         |  |
| ①                          | 2            | Ball valve 1 1/2" IT/OT                |
| ②                          | 1            | Pressure gauge 1/2" 0-16 bar, upright  |
| ③                          | 1            | Reducing nipple R 1 1/4"(OT)-RP 1"(IT) |
| ④                          | 1            | Safety valve 1" 10 bar                 |
| ⑤                          | 1            | Angle 90° 1/2" IT/OT                   |
| ⑥                          | 1            | Ball valve 1/2" IT/OT                  |

### Fitting set, complete for DB VZ 1000/16 H

| For compressed air vessels |              |  |
|----------------------------|--------------|--|
| Pressure                   | air vessels  | Art. no.                               |
| 16 bar                     | 1,000 l flat | 2500543                                |
| pieces                     | Type         |  |
| ①                          | 2            | Ball valve 1 1/2" IT/OT                |
| ②                          | 1            | Pressure gauge 1/2" 0-25 bar, upright  |
| ③                          | 1            | Reducing nipple R 1 1/4"(OT)-RP 1"(IT) |
| ④                          | 1            | Safety valve 1" 15 bar                 |
| ⑤                          | 1            | Angle 90° 1/2" IT/OT                   |
| ⑥                          | 1            | Ball valve 1/2" IT/OT                  |

## 2,000 l flat

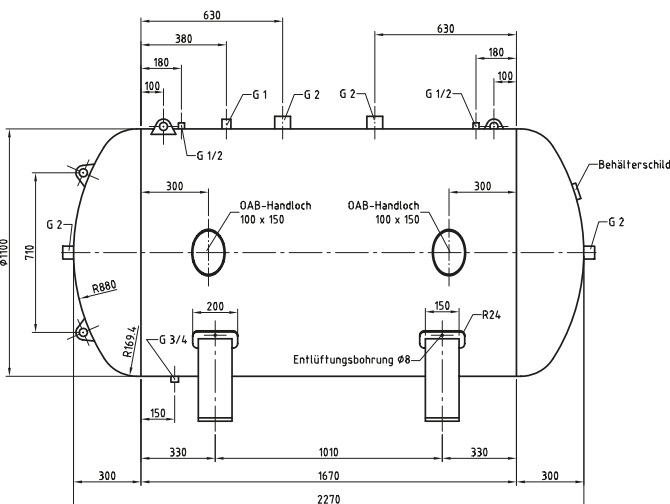
### Horizontal type

| Type                      | Pressure<br>bar | Vessel capacity<br>l | Manual/<br>Manhole | Weight<br>kg | Art. no. |
|---------------------------|-----------------|----------------------|--------------------|--------------|----------|
| DB zinc plating 2000/11 H | 11              | 2 000                | 2 x recess         | 480          | 2500701  |
| DB zinc plating 2000/16 H | 16              | 2 000                | 2 x recess         | 620          | 2500901  |

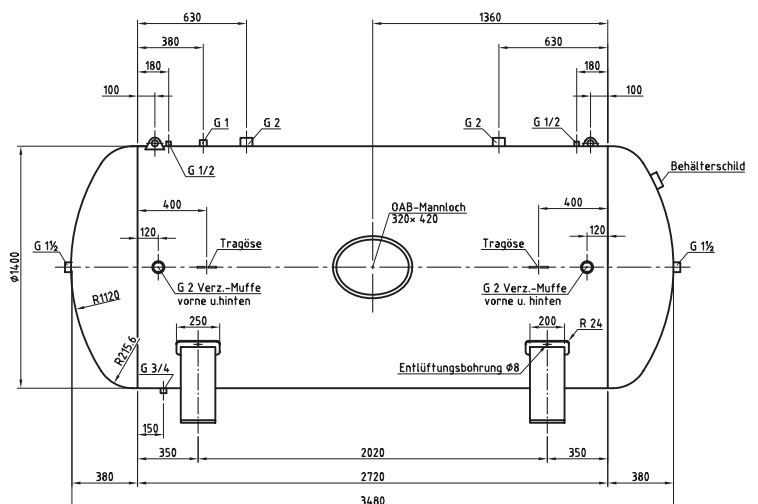
## 5,000 l flat

### Horizontal type

| Type                      | Pressure<br>bar | Vessel capacity<br>l | Manual/<br>Manhole | Weight<br>kg | Art. no. |
|---------------------------|-----------------|----------------------|--------------------|--------------|----------|
| DB zinc plating 5000/11 H | 11              | 5 000                | Manhole            | 1 020        | 2500731  |
| DB zinc plating 5000/16 H | 16              | 5 000                | Manhole            | 1 360        | 2500931  |



DB VZ 2000/11 H / DB VZ 2000/16 H



DB VZ 5000/11 H / DB VZ 5000/16 H

### Compressed air energy savers - saves compressed air and energy

- ▶ Shuts off the compressed air vessel from the remaining air network at the end of the working day; this means that the compressed air content stays in the vessel
- ▶ Opens automatically at the preset shift start, and shuts-off at the end of the shift
- ▶ Multiple shifts can be configured daily – thanks to microprocessor control and 7 day timer program
- ▶ Slow 90° ball valve rotation in 30 seconds for G1, or 105 seconds for G2 avoids backlash on opening and closing
- ▶ With FPM seals and stainless steel balls
- ▶ Brass nickel-plated valve body
- ▶ 24 hour timer display
- ▶ Operating temperature: 0°C to 60°C
- ▶ Operating voltage: 115 V or 240 V AC/DC 50/60 Hz
- ▶ Power consumption: 7 W during cycle switch
- ▶ Max. temperature: 50°C ambient temperature, 100°C medium temperature
- ▶ Pressure range: 0 to 16 bar
- ▶ Protection class: IP 54



Energy saver G1

Energy saver G2

| Type                               | Art. no. |
|------------------------------------|----------|
| Energy saver G1, connection: IT 1" | 2150001  |
| Energy saver G2, connection: IT 2" | 2150003  |

### Remote control option for Aircraft energy savers

- ▶ Matches Art. nos. 2100001 and 2150003



| Type                          | Art. no. |
|-------------------------------|----------|
| Remote control with 5 m cable | 2150002  |

### Ball valves

- ▶ Suitable for compressed air with full free passage
- ▶ Temperature resistant from -20 °C to +180 °C



| Type        | Art. no.          |
|-------------|-------------------|
| R 3/8" IT   | 3/8" IT 2507710   |
| R 3/8" IT   | 3/8" OT 2507711   |
| R 1/2" IT   | 1/2" IT 2507712   |
| R 1/2" IT   | 1/2" OT 2507714   |
| R 3/4" IT   | 3/4" IT 2507715   |
| R 3/4" IT   | 3/4" OT 2507716   |
| R 1" IT     | 1" IT 2507720     |
| R 1" IT     | 1" OT 2507721     |
| R 1 1/4" IT | 1 1/4" IT 2507725 |
| R 1 1/4" IT | 1 1/4" OT 2507726 |
| R 1 1/2" IT | 1 1/2" IT 2507730 |
| R 1 1/2" IT | 1 1/2" OT 2507731 |
| R 2" IT     | 2" OT 2507741     |

### Safety pallet SSP



| Type                | Art. no. |
|---------------------|----------|
| 1200 x 800 x 140 mm | 2030103  |

### Electromagnetic start-up relief 24 V AC



| Type            | Art. no. |
|-----------------|----------|
| normally closed | 2506015  |
| normally open   | 2506017  |

### Noise-insulation for electromagnetic start-up relief

- ▶ Made of sintered bronze



| Type                | Art. no. |
|---------------------|----------|
| Sound absorber 3/8" | 2255673M |

### Star-delta switch

- ▶ Ready for connection, fully wired in wall mounting cabinet
- ▶ Incl. connecting cable to air compressor
- ▶ Housing lockable, protection class IP 54
- ▶ With operating hour counter
- ▶ Operations on compressor only with with electromagnetic start-up relief, 24 V AC, normally closed, Art. no. 2506015



| Type   | Art. no. |
|--|----------|
| Star-delta switch 400 Volt for 5.5 and 7.5 kW motors | 2506010  |

### AIRCRAFT Tandem control

- For time-delayed switching on and off of two compressors
- ▶ During maintenance of one compressor unit, the compressor can continue running with a single compressor unit
- ▶ Control principle: time delay setting, one overload relay per motor, one operating hours display per compressor, separate shutdown of the two compressors



| Type           | Art. no. |
|----------------|----------|
| Tandem control | 2506013  |

# Components for compressed air systems

## AIRCRAFT base load cyclic load control

- ▶ For controlling two compressors each with an output of 4.0 or 5.5 kW
- ▶ Cyclic changes of basic and peak-load compressor
- ▶ Two operating hour counters integrated
- ▶ Actual pressure value measured by pressure sensor 0 - 16 bar
- ▶ Adjustable motor circuit breaker
- ▶ Adjustable switch-on pressure
- ▶ Including control for relief valve 24 V DC (e.g., solenoid valve, Art no. 2506016, solenoid valves not included in scope of delivery)
- ▶ Includes connection option for safety switch (e.g., CONDOR MDR2, Art.no. 2506214, pressure vessel not included in scope of delivery)



| Type                          | Art. no. |
|-------------------------------|----------|
| Base load cyclic load control | 2506020  |

## Pressure switch CONDOR

- ▶ Switch-off pressure configurable, incl. motor circuit breaker insert
- ▶ With 3-pole disconnecting on/off switch and start-up relief valve



| Type   | Art. no. |
|--|----------|
| MDR 2/11 bar, pressure vessel connection 3/8", 3 x 1/4" horizontal with AEV2S relief valve   | 2506214  |
| MDR 4/16/8-16 bar, incl. relief valve, 4 x 1/4" connection, preset to 7.8 to 9.8 bar, adjustable up to 16 bar at 400 V Max 16 amp. | 2506300  |
| MDR 3/11 bar / 4-6.3 Amp., connections 3 x 1/4" horizontal, 1 x 3/8" vertical incl. relief valve                                   | 2506303  |
| MDR 3/11 bar / 6.3-10 Amp., connections 3 x 1/4" horizontal, 1 x 3/8" vertical incl. relief valve                                  | 2506304  |
| MDR 3/11 bar / 10-16 Amp., connections 3 x 1/4" horizontal, 1 x 3/8" vertical incl. relief valve                                   | 2506305  |
| MRD 3/16 bar / 10-16 Amp., connections 3 x 1/4" horizontal, 1 x 3/8" vertical incl. relief valve                                   | 2506307  |

## Hood with operating hour counter for pressure switch



| Type                       | Art. no. |
|----------------------------|----------|
| matches CONDOR MDR 3 model | 2506301  |

## Motor protection switch



| Type                                   | Art. no. |
|--|----------|
| Motor circuit breaker 2-phase, 4 Amp.  | 2506504  |
| Motor circuit breaker 2-phase, 7 Amp.  | 2506507  |
| Motor circuit breaker 2-phase, 10 Amp. | 2506510  |
| Motor circuit breaker 1-phase, 10 Amp. | 2506610  |
| Motor circuit breaker 1-phase, 12 Amp. | 2506612  |
| Motor circuit breaker 1-phase, 14 Amp. | 2506614  |

## Pressure gauge



| Type                       | Art. no. |
|----------------------------|----------|
| Ø 40 mm, 1/8" rear, 10 bar | 2506440  |
| Ø 50 mm, 1/8" side, 10 bar | 2506451  |
| Ø 50 mm, 1/4" side, 10 bar | 2506452  |
| Ø 50 mm, 1/4" rear, 16 bar | 2506450  |
| Ø 63 mm, 1/4" rear, 10 bar | 2506460  |
| Ø 63 mm, 1/4" rear, 15 bar | 2506465  |

## Safety valve category IV CE 97/23



| Type                         | Art. no. |
|------------------------------|----------|
| 10 bar 1/4" OT, 1170 NI/min  | 2507210  |
| 13 bar 1/4" OT, 3070 NI/min  | 2507213  |
| 15 bar 1/4" OT, 4400 NI/min  | 2507215  |
| 10 bar 3/8" OT, 3050 NI/min  | 2507121  |
| 15 bar 3/8" OT, 4400 NI/min  | 2507124  |
| 10 bar 1/2" OT, 3970 NI/min  | 2507126  |
| 15 bar 1/2" OT, 5790 NI/min  | 2507127  |
| 10 bar 3/4" OT, 10900 NI/min | 2507128  |
| 15 bar 3/4" OT, 24850 NI/min | 2507129  |

## Condensate drain valve



| Type | Art. no. |
|------|----------|
| 1/4" | 2507307  |
| 3/8" | 2507310  |

## Non-return valves with connection for 6 mm relief line



| Type                       | Art. no. |
|----------------------------|----------|
| RS valve 1/2" OT x 3/8" OT | 2507510  |
| RS valve 1/2" OT x 1/2" OT | 2507512  |
| RS valve 3/4" OT x 3/4" OT | 2507516  |

### Push-in connector for 8 mm line



| Connection       | Design   | Bar max. | Art. no.    |
|------------------|----------|----------|-------------|
| 1/8" OT x 8 mm   | straight | 15       | 2251220188  |
| 2 x 8 mm         | straight | 15       | 225135008   |
| 2 x 8 mm         | Angle    | 16       | 225748008   |
| ① 3/8" OT x 8 mm | Angle    | 16       | 22577540388 |
| ② 1/4" OT x 8 mm | straight | 16       | 2257440148  |
| ③ 3 x 8 mm       | T-piece  | 16       | 225749008   |

### Push-in connector for 6 mm line



| Connection       | Design   | Bar max. | Art. no.   |
|------------------|----------|----------|------------|
| ① 1/8" OT x 6 mm | straight | 15       | 2251220186 |
| ② 1/8" OT x 6 mm | Angle    | 15       | 2251250186 |
| 1/4" OT x 6 mm   | straight | 16       | 2257440146 |

### Push-in connector for 4 mm line



| Connection       | Design   | Bar max. | Art. no.   |
|------------------|----------|----------|------------|
| ① 1/8" OT x 4 mm | straight | 16       | 2258450184 |
| M5 OT x 4 mm     | Angle    | 15       | 2251250054 |
| ② M5 OT x 4 mm   | T-piece  | 15       | 2251310054 |
| M5 OT x 4 mm     | straight | 16       | 2258450054 |

### Polyamide lines

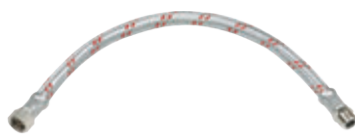
Bulk



| Type                         | Art. no. |
|------------------------------|----------|
| Ø 4 mm external, max. 44 bar | 22525909 |
| Ø 6 mm external, max. 27 bar | 22525911 |
| Ø 8 mm external, max. 19 bar | 22525912 |

### Armoured hoses

- For connecting compressors to compressed air vessels or piping systems
- One connection each with inside and outside thread



| IT/OT  | Length  | Operating pressure | Art. no. |
|--------|---------|--------------------|----------|
| 3/8"   | 400 mm  | 15 bar             | 2507610  |
| 3/8"   | 570 mm  | 15 bar             | 2507612  |
| 1/2"   | 500 mm  | 15 bar             | 2507615  |
| 1/2"   | 1500 mm | 15 bar             | 2507617  |
| 3/4"   | 550 mm  | 15 bar             | 2507621  |
| 3/4"   | 630 mm  | 15 bar             | 2507622  |
| 3/4"   | 800 mm  | 15 bar             | 2507624  |
| 3/4"   | 1500 mm | 15 bar             | 2507625  |
| 1"     | 1500 mm | 40 bar             | 2500195  |
| 1 1/4" | 1500 mm | 45 bar             | 2500196  |
| 1 1/2" | 1500 mm | 40 bar             | 2500199  |

### Screw lock

- Medium tight for gap 0.05 - 0.25



| Type             | PQ | Art. no. |
|------------------|----|----------|
| Screw lock 10 g  | 10 | 2500022  |
| Screw lock 50 g  | 1  | 2500023  |
| Screw lock 250 g | 1  | 2500024  |

### Running wheels



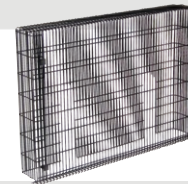
| Type   | Art. no. |
|--|----------|
| ① Steering roller with metal brake                   | 2505562  |
| Wheel axle L: 460 mm for 50 l pressure vessel        | 2500966  |
| Wheel axle L: 495 mm for 100 l pressure vessel       | 2500967  |
| Wheel axle L: 675 mm for 200 l pressure vessel       | 2500968  |
| Star lock cap for wheel axle Ø 20 mm                 | 2505505  |
| ② PU foam wheel diameter 260 x 20 mm, puncture-proof | 2505629  |

### Rubber anti-vibration elements for installation under pressure vessels, power units, etc.



| Type                            | Art. no. |
|---------------------------------|----------|
| SE 1 - 120 x 32 x 100 mm / M 12 | 3381012  |
| SE 2 - 100x38 mm/M10            | 2505640  |
| with single-sided thread        |          |
| SE 3 - 70 x 38 mm / 2 x M10,    | 2505650  |
| with two-sided thread           |          |
| SE 4 - 30 x 20 mm / 2 x M8,     | 2505630  |
| with two-sided thread           |          |

### Safety grille metal



| Type  | Art. no. |
|---|----------|
| 570 x 780 mm, for stationary models as of model year 2009     | 2501211  |
| 380 x 600 mm for 50 l pressure vessels as of model year 2009  | 2501215  |
| 470 x 730 mm for 100 l pressure vessels as of model year 2009 | 2501218  |

### Oils



#### Special oil RoOil Simco 32 E

for Airboy Silence 50 Pro  
0.5 l bottle 2500016

#### Special oil RSX 100

for Rotal piston compressors  
1 l bottle 2500017

#### Mineral oil 20W-30

piston compressors  
1 l bottle 2500012  
5 l Canister 2500015

#### Semi-synthetic oil Rot-Energy-Plus, 46 cSt

for screw-type compressors  
3.75 l Canister 0600000018A  
18.5 l Canister 0600000007A  
4 pcs. 3.75 l canister 0600000009A  
210 l barrel 0600000012A

### Air filter cartridge

| Type                 | Art. no.   |
|----------------------|------------|
| Air filter cartridge | 0017083000 |
| Air filter cartridge | 0017092000 |
| Air filter cartridge | 0017093000 |
| Air filter cartridge | 0017101000 |



# Components for compressed air systems

## Components

### V-belt pulley



| Type                   | Art. no. |
|------------------------|----------|
| A 110 x 24             | 02504100 |
| SPZ 110 x 28           | 02504112 |
| A 120 x 24             | 02504120 |
| SPZ 120 x 28           | 02504122 |
| SPB 130 x 28           | 02504131 |
| SPB 160 x 28           | 02504161 |
| A 140 x 24             | 02504140 |
| SPZ 170 x 28           | 02504172 |
| SPB 180 x 28           | 02504181 |
| SPB 200 x 28           | 02504201 |
| A 180 x 28 dual-groove | 02505180 |

### Toothed v-belt



| Type for models up to MY 08/2009 | Art. no. |
|----------------------------------|----------|
| AX 53                            | 02505353 |
| AX 60                            | 02505360 |
| AX 62                            | 02505362 |
| AX 70                            | 02505370 |
| Type for models as of MY 08/2009 | Art. no. |
| AX 43                            | 02505208 |
| AX 45.5                          | 02505210 |
| AX 50                            | 02505214 |
| XPB 1900                         | 02505218 |
| XPZ 1500                         | 02505221 |
| XPZ 1600                         | 02505224 |

### Wear parts for compressors

| Compressor                                      | Wear part                          | Art. no.    |
|---|------------------------------------|-------------|
| <b>MK 102</b>                                   | Valve plate                        | 0250130217  |
| <b>MK 102</b>                                   | Air filter cartridge               | 0250130219  |
| <b>MK 102</b>                                   | Seal kit                           | 0250130224  |
| <b>MK 103</b>                                   | Valve plate                        | 0250130317  |
| <b>MK 103</b>                                   | Air filters                        | 0250131231  |
| <b>MK 103</b>                                   | Seal kit                           | 0250130324  |
| <b>MK 113</b>                                   | Valve plate                        | 0250131228  |
| <b>MK 113</b>                                   | Air filters                        | 0250131231  |
| <b>MK 113</b>                                   | Seal kit                           | 0250131239  |
| <b>MK 102</b><br><b>MK 103</b><br><b>MK 113</b> | Start-up relief valve 1/4" 2.2 bar | 0250130221  |
| <b>BK 119</b>                                   | Valve plate                        | 0250131925  |
| <b>BK 119</b>                                   | Air filter cartridge Ø 65 mm       | 0250131928  |
| <b>BK 119</b>                                   | Seal kit                           | 0250131940  |
| <b>BK 120</b>                                   | Valve plate                        | 0250132042  |
| <b>BK 120</b>                                   | Air filter cartridge               | 0250132163E |
| <b>BK 120</b>                                   | Seal kit                           | 0250132164  |
| <b>BK 119, 120</b>                              | Safety valve 1/4" 16.5 bar         | 0250131931  |
| <b>BK 119, 120</b>                              | Safety valve 1/4" 6 bar            | 0250131934  |
| <b>VKM 362 3M</b>                               | Valve plate                        | 0250140006  |
| <b>VKM 362 3M</b>                               | Seal kit                           | 0250133062  |
| <b>VKM 362 3M</b>                               | Air filter cartridge               | 0250134013  |
| <b>VKM 320 3M oil-free</b>                      | Valve plate                        | 0413175002  |
| <b>VKM 320 3M oil-free</b>                      | Seal kit                           | 0250134029  |
| <b>VKM 320 3M oil-free</b>                      | Air filter cartridge               | 0250134013  |

### Motors



| Type   | Art. no. |
|--|----------|
| 1.5 kW/230 V with motor protection 12A, 1Ph. | 02502151 |
| 1.8 kW/230 V with motor protection 12A, 1Ph. | 02502181 |
| 1.8 kW/400 V with motor protection 4A, 2Ph.  | 02502183 |
| 2.2 kW/230 V with motor protection 16A, 1Ph. | 02502221 |
| 2.2 kW/ 400 V                                | 02502222 |
| 3.0 kW/ 400 V                                | 02502302 |
| 4.0 kW / 400 V                               | 02502402 |
| 5.5 kW/ 400 V                                | 02502553 |
| 7.5 kW/ 400 V                                | 02502753 |
| 11 kW/ 400 V                                 | 02502853 |

## Oil-lubricated coaxial compressor units

- ▶ Coaxial compressors use a work system that Fini has made popular worldwide, known as the "coaxial drive". The crankshaft and drive shaft are a single component, this means:
- ▶ Maximum mechanical efficiency
- ▶ Does not need any further drive components
- ▶ Fewer moving parts

### Main features:

- ▶ Ultra-efficient cooling air guidance
- ▶ Special, stainless steel ground valves. Oil-lubricated and oil-free models are available from 0.6 to 3 kW, and with 2 or 4 way, 8 bar, single or twin-cylinder

| OIL LUBRICATED           | 2 WAY 8-10 BAR   |                  |                    |        |        |        | 4 WAY   |                 |                 |                   |                   |
|--------------------------|------------------|------------------|--------------------|--------|--------|--------|---------|-----------------|-----------------|-------------------|-------------------|
|                          | MK 2400<br>8 bar | SF 2500<br>8 bar | VKM 4020<br>10 bar | MK 265 | MK 285 | MK 312 | VKM 402 | MK 97<br>15 bar | MK 137<br>8 bar | VKM 362<br>10 bar | VKM 592<br>10 bar |
| Aftercoolers             | -                | -                | ✓                  | ✓      | ✓      | ✓      | ✓       | -               | -               | ✓                 | ✓                 |
| Overload protection      | -                | ✓                | ✓                  | ✓      | ✓      | ✓      | ✓       | ✓               | ✓               | ✓                 | ✓                 |
| Premium rod end bearings | -                | -                | -                  | -      | -      | -      | ✓       | -               | -               | ✓                 | ✓                 |
| Cast iron cylinder       | ✓                | ✓                | ✓                  | ✓      | ✓      | ✓      | -       | ✓               | ✓               | ✓                 | ✓                 |
| Aluminium cylinder       | -                | -                | -                  | -      | -      | -      | ✓       | -               | -               | -                 | -                 |



MK 2400 - 2M



SF 2500 - 2M



VKM 4020 - 3M



MK 137 - 1M



MK 265-285



VKM 362-402



VKM 592 - 4



MK 312 - 3M



MK 236 - 4S HONDA

| Type                                     | Maximum pressure | Number of cylinders | Motor output | Intake capacity | Speed     | Voltage/phases | Weight  | Art. no. |
|--|------------------|---------------------|--------------|-----------------|-----------|----------------|---------|----------|
| <b>Single-phase oil lubricated</b>       |                  |                     |              |                 |           |                |         |          |
| MK 97/15 - 0.75M                         | 15 bar           | 1                   | 0.55 kW      | 87 l/min.       | 1 420 rpm | 230 V / 1      | 12.8 kg | 2501370  |
| MK 137 - 1M                              | 8 bar            | 1                   | 0.74 kW      | 108 l/min.      | 1 420 rpm | 230 V / 1      | 12.8 kg | 2501313  |
| MK 2400 - 2M                             | 8 bar            | 1                   | 1.5 kW       | 179 l/min.      | 2 850 rpm | 230 V / 1      | 11 kg   | 2501420  |
| SF 2500 - 2M                             | 8 bar            | 1                   | 1.5 kW       | 185 l/min.      | 2 850 rpm | 230 V / 1      | 10.7 kg | 2501391  |
| MK 265 - 2M                              | 10 bar           | 1                   | 1.5 kW       | 250 l/min.      | 2 850 rpm | 230 V / 1      | 13.3 kg | 2501411  |
| MK 285 - 2.5M                            | 10 bar           | 1                   | 1.8 kW       | 260 l/min.      | 2 850 rpm | 230 V / 1      | 14.5 kg | 2501381  |
| MK 285 Pulsar - 2.5M                     | 10 bar           | 1                   | 1.8 kW       | 260 l/min.      | 2 850 rpm | 230 V / 1      | 14.5 kg | 2501315  |
| MK 312 - 3M                              | 10 bar           | 1                   | 2.2 kW       | 284 l/min.      | 2 850 rpm | 230 V / 1      | 16.5 kg | 2501317  |
| VKM 362 - 3M                             | 10 bar           | 2 V                 | 2.2 kW       | 310 l/min.      | 1 420 rpm | 230 V / 1      | 23.6 kg | 2501330  |
| VKM 402 - 3M                             | 10 bar           | 2 V                 | 2.2 kW       | 400 l/min.      | 2 850 rpm | 230 V / 1      | 21.5 kg | 2501440  |
| VKM 4020 - 3M                            | 10 bar           | 2 V                 | 2.2 kW       | 356 l/min.      | 2 850 rpm | 230 V / 1      | 20.5 kg | 2501335  |
| VKM 592 - 4M                             | 10 bar           | 2 V                 | 3 kW         | 590 l/min.      | 1 420 rpm | 230 V / 1      | 45.5 kg | 2501350  |
| <b>Three-phase oil lubricated</b>        |                  |                     |              |                 |           |                |         |          |
| MK 265 - 2                               | 10 bar           | 1                   | 1.5 kW       | 250 l/min.      | 2 850 rpm | 400 V/3        | 14.5 kg | 2501309  |
| VKM 362 - 3                              | 10 bar           | 2 V                 | 2.2 kW       | 310 l/min.      | 1 420 rpm | 230-400 V/3    | 21.5 kg | 2501332  |
| VKM 402 - 3                              | 10 bar           | 2 V                 | 2.2 kW       | 400 l/min.      | 2 850 rpm | 230-400 V/3    | 19.5 kg | 2501333  |
| VKM 592 - 4                              | 10 bar           | 2 V                 | 3 kW         | 590 l/min.      | 1 420 rpm | 230-400 V/3    | 45.5 kg | 2501334  |
| <b>Oil-lubricated with petrol engine</b> |                  |                     |              |                 |           |                |         |          |
| MK 236 - 4S HONDA                        | 10 bar           | 1                   | 3 kW         | 235 l/min.      | 3 420 rpm | 230-400 V/3    | 12.5 kg | 2501318  |

# Power units

## Oil-free oil-lubricated coaxial compressor units

- ▶ Directly driven compressor units from 1.1 to 2.2 kW and 2 to 4 way, 8 and 10 bar, single or twin cylinder
- ▶ Self-lubricating, non-toxic and approved materials allow for the use of these compressors in medical applications, and in the dental industry
- ▶ Unique compressor motor crankshaft
- ▶ Maximum mechanical efficiency
- ▶ No transmission elements
- ▶ High-efficiency cooling air fan
- ▶ Fin valves for optimum efficiency
- ▶ Front and additional cooling for maximum durability
- ▶ Anti-corrosive surface treatment

| OIL-FREE                 | 2 WAY – 8 BAR |        |                | 4 WAY – 10 BAR |         |
|--------------------------|---------------|--------|----------------|----------------|---------|
|                          | OL 1850       | OL 232 | OL 55<br>OL 75 | MK 160         | VKM 320 |
| Aftercoolers             | –             | ✓      | –              | ✓              | ✓       |
| Overload protection      | ✓             | ✓      | –              | ✓              | ✓       |
| Premium rod end bearings | ✓             | ✓      | ✓              | ✓              | ✓       |
| Twin pistons             | ✓             | ✓      | ✓              | –              | –       |



OL 1850



OL 232



OL 55 - 75



MK 160



VKM 320

| Type                         | Maximum pressure | Number of cylinders | Motor output | Intake capacity | Speed     | Voltage/phases | Weight  | Art. no. |
|------------------------------|------------------|---------------------|--------------|-----------------|-----------|----------------|---------|----------|
| <b>Single-phase oil-free</b> |                  |                     |              |                 |           |                |         |          |
| OL 55 - 0.75M                | 8 bar            | 1                   | 0.55 kW      | 118 l/min.      | 1 420 rpm | 230 V /1       | 10 kg   | 2501395  |
| OL 75 - 1M                   | 8 bar            | 1                   | 0.75 kW      | 155 l/min.      | 1 420 rpm | 230 V /1       | 11 kg   | 2501396  |
| OL 1850 - 1.5M               | 8 bar            | 1                   | 1.1 kW       | 179 l/min.      | 2 850 rpm | 230 V /1       | 7 kg    | 2501361  |
| OL 232 - 2M                  | 8 bar            | 1                   | 1.5 kW       | 218 l/min.      | 2 850 rpm | 230 V /1       | 11 kg   | 2501397  |
| MK 160 - 1.5M                | 10 bar           | 1                   | 1.1 kW       | 152 l/min.      | 1 420 rpm | 230 V /1       | 14.5 kg | 2501314  |
| VKM 320 - 3M                 | 10 bar           | 2 V                 | 2.2 kW       | 320 l/min.      | 1 420 rpm | 230 V /1       | 20 kg   | 2501340  |
| VKM 320 - 3                  | 10 bar           | 2 V                 | 2.2 kW       | 320 l/min.      | 1 420 rpm | 230-400 V/3    | 20 kg   | 2501331  |

## Oil-lubricated, V-belt driven compressor units

- ▶ Cylinders and cylinder heads with long ribs for optimum heat dissipation;
- ▶ carefully balanced cast iron crankshaft for smoother action
- ▶ Stainless steel valves with high air flow rate
- ▶ Pulley designed as fan
- ▶ Optimised air flow, high fan performance
- ▶ High-efficiency air filter with labyrinth intake duct to reduce noise
- ▶ The models listed below are available in the following designs:
  - ▶ Single stage from 1.1 to 4 kW
  - ▶ Two-stage from 3 to 7.5 kW
  - ▶ V-shape and two-stage, from 4 to 15 kW

| OIL LUBRICATED        | SINGLE STAGE |        |        |        |        | TWO STAGE |        |        |        |        |
|-----------------------|--------------|--------|--------|--------|--------|-----------|--------|--------|--------|--------|
|                       | MK 102/N     | MK 102 | MK 103 | MK 113 | BK 113 | BK 114    | BK 119 | BK 120 | BKV 30 | BKV 50 |
| Aftercoolers          | –            | ✓      | ✓      | ✓      | ✓      | ✓         | ✓      | ✓      | ✓      | ✓      |
| Intermediate cooler   | –            | –      | –      | –      | ✓      | ✓         | ✓      | ✓      | ✓      | ✓      |
| Air intake duct       | –            | ✓      | ✓      | ✓      | ✓      | ✓         | ✓      | ✓      | –      | –      |
| External ventilation  | ✓            | ✓      | ✓      | ✓      | ✓      | ✓         | ✓      | ✓      | ✓      | ✓      |
| Cast iron cylinder    | ✓            | ✓      | ✓      | ✓      | ✓      | ✓         | ✓      | ✓      | ✓      | ✓      |
| Start-up relief valve | –            | ✓      | ✓      | ✓      | –      | –         | –      | –      | –      | –      |



MK 102/N



MK 102



MK 113

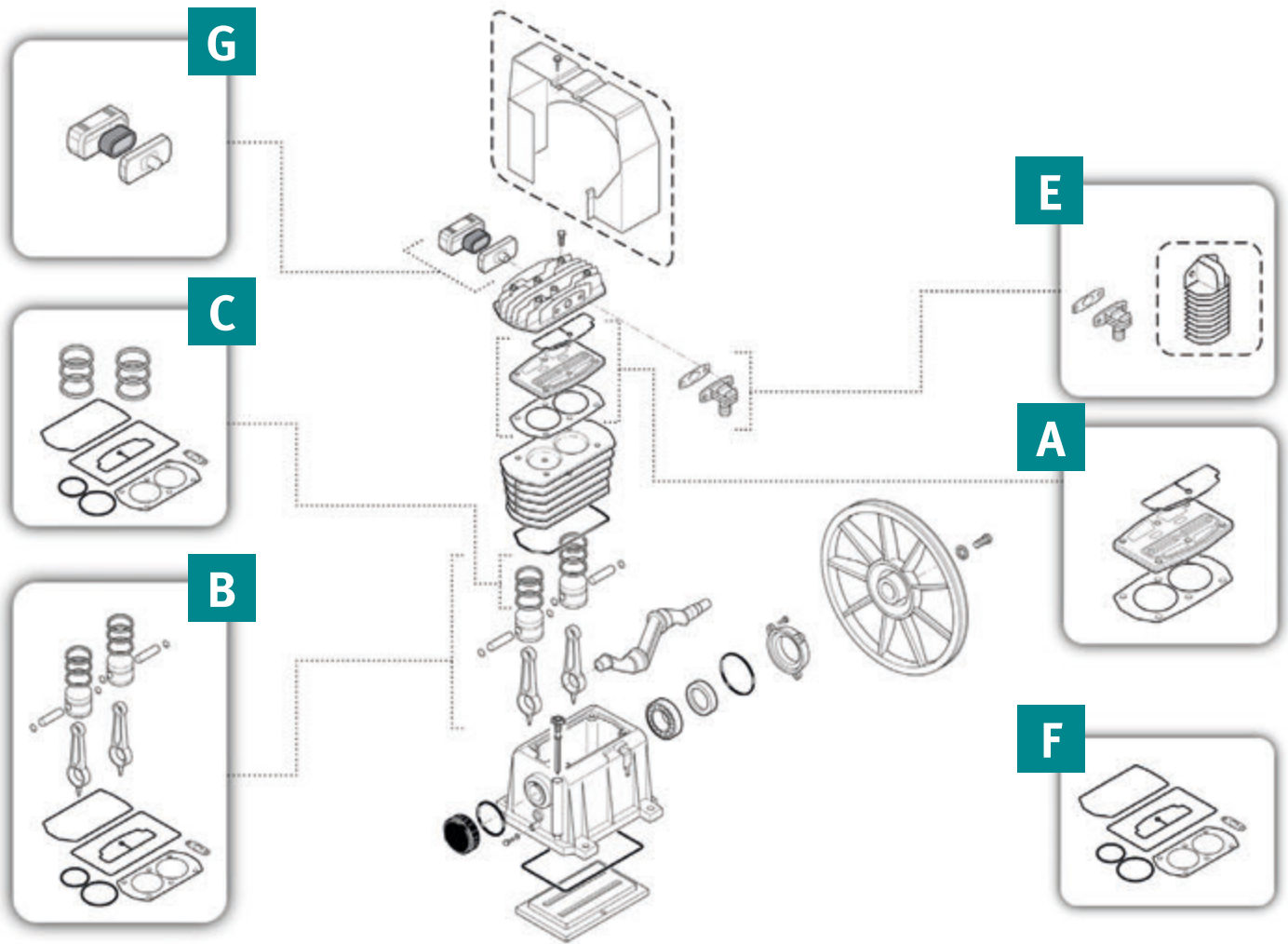


BK 120



BKV 50

| Type                | Maximum pressure | Number of cylinders | Motor output | Intake capacity | Speed     | Voltage/phases | Weight  | Art. no. |
|---------------------|------------------|---------------------|--------------|-----------------|-----------|----------------|---------|----------|
| <b>Single stage</b> |                  |                     |              |                 |           |                |         |          |
| MK 102/N            | 10 bar           | 2                   | 1.5 kW       | 215 l/min.      | 1 375 rpm | –              | 9 kg    | 2501304  |
| MK 102              | 10 bar           | 2                   | 1.5 kW       | 235 l/min.      | 1 040 rpm | –              | 9 kg    | 2501302  |
| MK 103              | 10 bar           | 2                   | 2.2 kW       | 365 l/min.      | 1 370 rpm | –              | 9.5 kg  | 2501303  |
| MK 113              | 10 bar           | 2                   | 4 kW         | 556 l/min.      | 1300 rpm  | –              | 18.3 kg | 2501312  |
| <b>Two stage</b>    |                  |                     |              |                 |           |                |         |          |
| BK 113              | 10 bar           | 2                   | 3 kW         | 430 l/min.      | 1 310 rpm | –              | 19.6 kg | 2501323  |
| BK 113-28 bar       | 28 bar           | 2                   | 2.2 kW       | 225 l/min.      | 680 rpm   | –              | 16 kg   | 2501324  |
| BK 114              | 10 bar           | 2                   | 4 kW         | 585 l/min.      | 1 370 rpm | –              | 32.5 kg | 2501325  |
| BK 119              | 10 bar           | 2                   | 5.5 kW       | 840 l/min.      | 1 250 rpm | –              | 34 kg   | 2501319  |
| BK 120              | 10 bar           | 2                   | 7.5 kW       | 1 080 l/min.    | 1 000 rpm | –              | 54.3 kg | 2501321  |
| BKV 30              | 11 bar           | 4 V                 | 11 kW        | 1 745 l/min.    | 1 200 rpm | –              | 100 kg  | 2501130  |
| BKV 50              | 11 bar           | 4 V                 | 15 kW        | 2 148 l/min.    | 1 050 rpm | –              | 152 kg  | 2501150  |



## Single-stage units



|          |                        | KIT A                  | KIT B           | KIT C          | KIT E         | KIT F                  | KIT G         | Oil             |
|----------|------------------------|------------------------|-----------------|----------------|---------------|------------------------|---------------|-----------------|
|          | <b>Commodity group</b> | • Complete valve plate | • Conrod piston | • Piston rings | • Aftercooler | • Complete sealing set | • Air filters | • Max. oil fill |
| MK 102/N | 0200F                  | 09434A00               | 09434B00        | 09434C00       | –             | 09434F00               | 04105291      | 0.5             |
| MK 102   | 0200F                  | 09434A00               | 09434B01        | 09434C01       | 09434E01      | 09434F00               | 04105291      | 0.5             |
| MK 103   | 0200F                  | 09434A01               | 09434B02        | 09434C02       | 09434E02      | 09434F01               | 04105290      | 0.5             |
| MK 113   | 0200F                  | 09434A02               | 09434B03        | 09434C03       | 09434E03      | 09434F02               | 04105290      | 0.9             |

| Designation                           | Art. no. |
|---------------------------------------|----------|
| Valve plate KIT A (MK 102 N / MK 102) | 09434A00 |
| Valve plate KIT A (MK 103)            | 09434A01 |
| Valve plate KIT A (MK 113)            | 09434A02 |
| Conrod piston KIT B (MK 102/N)        | 09434B00 |
| Conrod piston KIT B (MK 102)          | 09434B01 |
| Conrod piston KIT B (MK 103)          | 09434B02 |
| Conrod piston KIT B (MK 113)          | 09434B03 |
| Piston rings KIT C MK 102/N KIT C     | 09434C00 |
| Piston rings KIT C (MK 102)           | 09434C01 |
| Piston rings KIT C (MK 103)           | 09434C02 |
| Piston rings KIT C (MK 113)           | 09434C03 |

| Designation                          | Art. no. |
|--------------------------------------|----------|
| Aftercooler KIT E (MK 102)           | 09434E01 |
| Aftercooler KIT E (MK 103)           | 09434E02 |
| Aftercooler KIT E (MK 113)           | 09434E03 |
| Compl. sealing set KIT F (MK 102/N)  | 09434F00 |
| Compl. sealing set KIT F (MK 102)    | 09434F00 |
| Compl. sealing set KIT F (MK 103)    | 09434F01 |
| Compl. sealing set KIT F (MK 113)    | 09434F02 |
| Air filter KIT G (MK 102 / MK 102/N) | 04105291 |
| Air filter KIT G (MK 103 / MK 113)   | 04105290 |

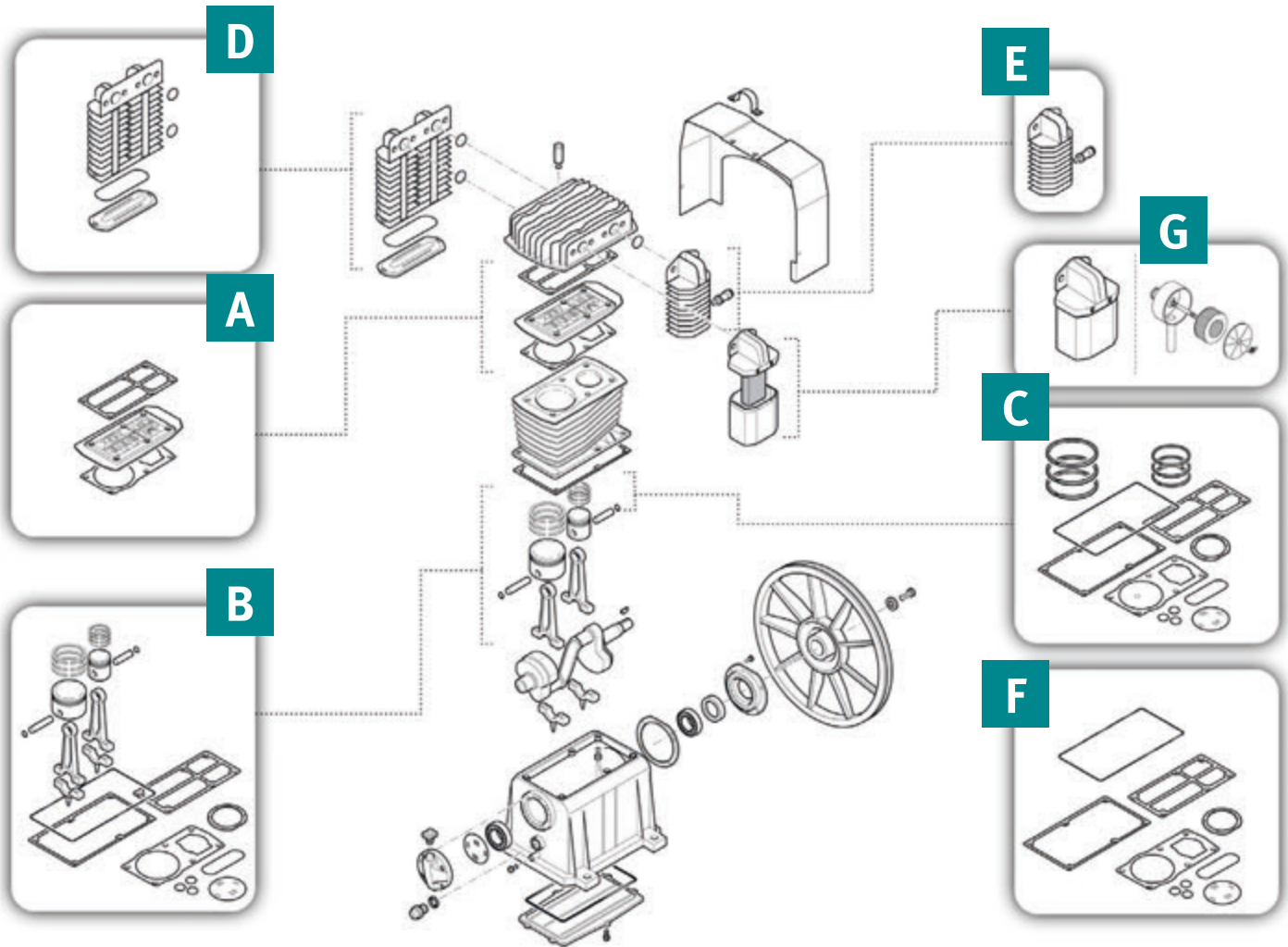
For correct maintenance of the compressor, we recommended changing the oil at least once a year using our lubricants.

| Oils   | Art. no. |
|--|----------|
| <b>Special oil RoOil Simco 32 E</b><br>for Airboy Silence 50 Pro |          |
| 0.5 l bottle   | 2500016  |
| <b>Special oil RSX 100</b><br>for Rotal piston compressors       |          |
| 1 l bottle   | 2500017  |

| Oils  | Art. no. |
|---|----------|
| <b>Mineral oil 20W-30</b><br>piston compressors |          |
| 1 l bottle                                      | 2500012  |
| 5 l Canister                                    | 2500015  |



# Maintenance kits for piston compressors



Two-stage unit



|        |                 | KIT A                  | KIT B           | KIT C          | KIT D                 | KIT E         | KIT F                  | KIT G      |               | Oil             |
|--------|-----------------|------------------------|-----------------|----------------|-----------------------|---------------|------------------------|------------|---------------|-----------------|
|        | Commodity group | • Complete valve plate | • Conrod piston | • Piston rings | • Intermediate cooler | • Aftercooler | • Complete sealing set | • round    | • rectangular | • Max. oil fill |
| BK 113 | 0200F           | 09434A03               | 09434B04        | 09434C04       | 09434D00              | 09434E03      | 09434F03               | –          | 0317072000    | 0.7             |
| BK 114 | 0200F           | 09434A04               | 09434B05        | 09434C05       | 09434D00              | 09434E04      | 09434F04               | –          | 0317071000    | 0.9             |
| BK 119 | 0200F           | 09434A04               | 09434B06        | 09434C06       | 09434D00              | 09434E05      | 09434F05               | –          | 0317071000    | 1.34            |
| BK 120 | 0200F           | 09434A05               | 09434B07        | 09434C07       | 09434D01              | 09434E06      | 09434F06               | 0317011000 | –             | 1.52            |

| Designation                         | Art. no. |
|-------------------------------------|----------|
| Complete valve plate KIT A (BK 113) | 09434A03 |
| Complete valve plate KIT A (BK 114) | 09434A04 |
| Complete valve plate KIT A (BK 119) | 09434A04 |
| Complete valve plate KIT A (BK 120) | 09434A05 |
| Conrod piston KIT B (BK 113)        | 09434B04 |
| Conrod piston KIT B (BK 114)        | 09434B05 |
| Conrod piston KIT B (BK 119)        | 09434B06 |
| Conrod piston KIT B (BK 120)        | 09434B07 |
| Piston rings KIT C (BK 113)         | 09434C04 |
| Piston rings KIT C (BK 114)         | 09434C05 |
| Piston rings KIT C (BK 119)         | 09434C06 |
| Piston rings KIT C (BK 120)         | 09434C07 |
| Intermediate cooler KIT D (BK 113)  | 09434D00 |
| Intermediate cooler KIT D (BK 114)  | 09434D00 |

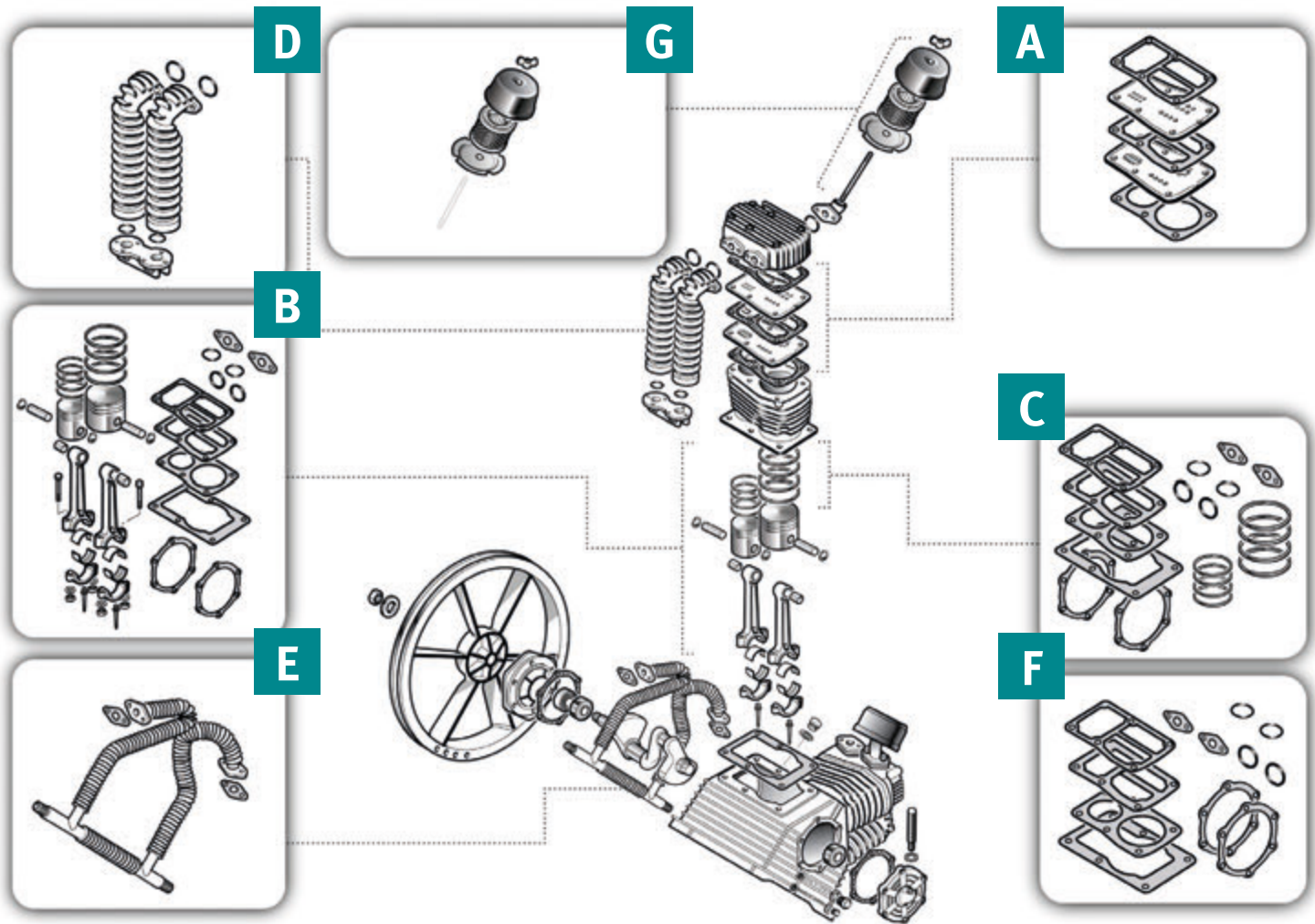
| Designation                                  | Art. no.   |
|--|------------|
| Intermediate cooler KIT D (BK 119)           | 09434D00   |
| Intermediate cooler KIT D (BK 120)           | 09434D01   |
| Aftercooler KIT E (BK 113)                   | 09434E03   |
| Aftercooler KIT E (BK 114)                   | 09434E04   |
| Aftercooler KIT E (BK 119)                   | 09434E05   |
| Aftercooler KIT E (BK 120)                   | 09434E06   |
| Complete sealing set KIT F (BK 113)          | 09434F03   |
| Complete sealing set KIT F (BK 114)          | 09434F04   |
| Complete sealing set KIT F (BK 119)          | 09434F05   |
| Complete sealing set KIT F (BK 120)          | 09434F06   |
| Air filter rectangular KIT G (BK 113)        | 0317072000 |
| Air filter rectangular KIT G (BK 119/BK 114) | 0317071000 |
| Air filter round KIT G (BK 120)              | 0317011000 |

For correct maintenance of the compressor, we recommended changing the oil at least once a year using our lubricants.

| Oils   | Art. no. |
|--|----------|
| <b>Special oil RoilOil Simco 32 E</b><br>for Airboy Silence 50 Pro |          |
| 0.5 l bottle   | 2500016  |
| <b>Special oil RSX 100</b><br>for Rotal piston compressors         |          |
| 1 l bottle   | 2500017  |

| Oils  | Art. no. |
|---|----------|
| <b>Mineral oil 20W-30</b><br>piston compressors |          |
| 1 l bottle                                      | 2500012  |
| 5 l Canister                                    | 2500015  |





### Two-stage unit with "V" cylinders



|        | Commodity group | KIT A                  |          | KIT B           |          | KIT C          | KIT D                 | KIT E         | KIT F                  | KIT G    | Oil             |
|--------|-----------------|------------------------|----------|-----------------|----------|----------------|-----------------------|---------------|------------------------|----------|-----------------|
|        |                 | • SX L                 | • DX R   | • SX L          | • DX R   |                |                       |               |                        |          |                 |
|        |                 | • Complete valve plate |          | • Conrod piston |          | • Piston rings | • Intermediate cooler | • Aftercooler | • Complete sealing set | • round  | • Max. oil fill |
| BKV 30 | 0200F           | 09434A16               | 09434A23 | 09434B20        | 09434B27 | 09434C19       | 09434D03              | 09434E12      | 09434F17               | OSP81000 | 3.1             |
| BKV 50 | 0200F           | 09434A17               | 09434A24 | 09434B21        | 09434B21 | 09434C20       | 09434D04              | 09434E18      | 09434F18               | OSP81000 | 6.67            |

| Designation                              | Art. no. |
|--|----------|
| Compl. valve plate (SX L) KIT A (BKV 30) | 09434A16 |
| Compl. valve plate (SX L) KIT A (BKV 50) | 09434A17 |
| Compl. valve plate (DX R) KIT A (BKV 30) | 09434A23 |
| Compl. valve plate (DX R) KIT A (BKV 50) | 09434A24 |
| Conrod piston (SX L) KIT B (BKV 30)      | 09434B20 |
| Conrod piston (SX L) KIT B (BKV 50)      | 09434B21 |
| Conrod piston (DX R) KIT B (BKV 30)      | 09434B27 |
| Conrod piston (DX R) KIT B (BKV 50)      | 09434B21 |
| Piston rings KIT C (BKV 30)              | 09434C19 |

| Designation                        | Art. no. |
|------------------------------------|----------|
| Piston rings KIT C (BKV 50)        | 09434C20 |
| Intermediate cooler KIT D (BKV 30) | 09434D03 |
| Intermediate cooler KIT D (BKV 50) | 09434D04 |
| Aftercooler (BKV 30)               | 09434E12 |
| Aftercooler (BKV 50)               | 09434E18 |
| Complete sealing set (BKV 30)      | 09434F17 |
| Complete sealing set (BKV 50)      | 09434F18 |
| Air filter round KIT G (BKV 30)    | OSP81000 |
| Air filter round KIT G (BKV 50)    | OSP81000 |

For correct maintenance of the compressor, we recommended changing the oil at least once a year using our lubricants.

| Oils   | Art. no. |
|--|----------|
| <b>Special oil RoOil Simco 32 E</b><br>for Airboy Silence 50 Pro<br>0.5 l bottle | 2500016  |
| <b>Special oil RSX 100</b><br>for Rotal piston compressors<br>1 l bottle         | 2500017  |

| Oils  | Art. no. |
|---|----------|
| <b>Mineral oil 20W-30</b><br>piston compressors<br>1 l bottle | 2500012  |
| 5 l Canister  | 2500015  |

